



EX322

Stereo Integrated Amplifier

OWNER'S MANUAL
MODE D'EMPLOI
MANUEL DEL USUARIO
BEDIENUNGSANLEITUNG

ENGLISH

FRANCAIS

SPANISH

DEUTSCH



Dear Customer,

Thank you for choosing a BC Acoustique product. Its implementation has been our know-how, both in terms of design to the manufacturing. Electronic components and mechanical parts correspond to the selection criteria of very high quality. Operation and finish of each product have been checked before delivery. To obtain best results, please read the advice contained in this document.

Summary


Safety Instructions	02
Glossary	02
Recommandations	02
Recycling product	03
Location and precautions	03
Power Sources	03
Warranty	03
Basic Instructions: QUICK START	04
Rear panel - Connecting the amplifier	05
Under - Switch anti-hum (Ground On/Off)	05
Front panel - Connections and use the amplifier	06
Remote Control	07
Specifications	07
Troubleshooting	07

Safety instructions

We invite you to read the instructions on the proper use of your product carefully. They will ensure the proper functioning of the latter and it safely.

- Do not use this device in a wet area or near water.
- Clean only with a dry cloth. As a precaution it is best to unplug the unit before handling.
- Never cover the ventilation of the unit. Be sure to install the unit in a well ventilated location.
- Do not install near heat sources.
- Take great care of the power cord and plugs electrical connection. In particular, do not walk, or press the power cord, specifically at plugs, power plant and the output of the power supply.
- Use only parts and accessories recommended by BC Acoustique.
- Be sure to use an appropriate power supply to the power jack on the unit outlet. Especially if the device is equipped with a ground, it is necessary to use it.
- Unplug the apparatus during lightning storms or when not in use for a long time.

Glossary

 The CE mark indicates that this product complies with European directives called "low voltage" (2006/95/EC), Electromagnetic Compatibility (2004/108/EC) and apply eco-design requirements for energy products (2009/125/EC) when the appliance is installed and used in accordance with the user manual. For continued compliance only BC Acoustique accessories must be used with this product and servicing must be performed by specialized and qualified staff.



The WEEE symbol is that of the European Union regarding the recycling of electrical and electronic equipment. It indicates that this product contains electrical and electronic components that can be reused, recycled or recovered. Therefore this product should not be disposed of in your regular trash. Thank you to return the unit or contact your authorized dealer for more information.



This symbol alerts the user to the presence of "dangerous voltage" uninsulated which may pose a risk of electric shock to the user.



This symbol alerts the user that the documentation that comes with the device contains important instructions for maintenance and proper use of the product.

Recommendations

In the case of headphones, do not use it to excessive noise. Otherwise, prolonged listening at high volume levels may cause permanent damage to your hearing.

When disposing of used batteries, please comply with governmental regulations or rules defined by the public statements relating to the environment applicable in your country.

Never expose the batteries (battery pack or batteries installed) to excessive heat such as sunshine, fire, etc ...

Product recycling

At the end of its useful life, this product should not be disposed of with regular garbage, but returned to a collection point for the recycling of electrical and electronic components. This point is emphasized by the symbol on the product, the instruction manual and on the packaging.

The materials can be reused in accordance with their markings. Through reuse and recycling of raw materials or any other form of recycling, you make an important contribution to environmental protection. Your municipality can tell you where is the point of the nearest collection site.

Location and precautions

Avoid placing it in direct sunlight or near a heat source. No source of light shall be placed on the apparatus. Also avoid all sources that could cause vibration, dust, cold or moisture. The recommended ambient temperature range is 5-35 ° C.

The device must be installed on a stable, level surface. Do not place the unit on an unstable surface or shelf. The unit may fall, causing serious injury to a child or adult as well as serious damage to the product. Do not place other equipment on top of the unit.

Due to stray, turntables or CRT TVs magnetic fields should not be located near the unit to avoid possible interference.

Power sources

The unit should be operated only from the type of power source indicated on the label. If you are unsure of the type of power available to you, thank you to contact your dealer or the company responsible for the power supply in your area.

Turn off device if you do not intend to use this unit for a long time.

In case of prolonged absence from home, it is recommended to unplug from the electrical outlet.

Make sure each cable is correctly inserted. To prevent hum or background noise, do not mix different other antenna cable with the power cord or speaker wires.

Warranty

BC Acoustics warrants this product parts and labor (under the conditions specified below).

BC Acoustics will repair or replace (at its discretion) this product or any defective parts. The warranty period may vary by country. If in doubt, contact your dealer. Always retain proof of purchase of this product.

For warranty service, please contact the BC Acoustique authorized reseller from which you purchased this product. If your dealer is not itself repair the product, it can be sent to BC Acoustique authorized after-sales service. If necessary, you will need to ship this product in its original packaging or packaging affording an equal degree of protection.

Proof of purchase such as an invoice stating that the product is covered by the Guarantee must be presented for any warranty claims.

This warranty is void if:

- The factory serial number has been altered or removed.
- This product was not purchased from an authorized reseller BC Acoustique. To confirm that the serial number has been altered or that the product was purchased from an authorized reseller BC Acoustique, you can call BC Acoustique BC Acoustique or distributor in your country.
- If the power supply cord or plug is damaged.
- If liquid has been spilled or if objects have fallen inside.
- If the unit has been exposed to rain or water.
- If the unit is dropped or damaged in any way.
- This warranty does not cover cosmetic damage or damage caused by or due to force majeure, an accident, mis use, abuse, negligence, commercial use or modification of part any product.
- This warranty does not cover damage caused by or resulting from misuse, a maintenance or improper installation or repairs made or attempted by anyone other in BC Acoustique or not BC Acoustics dealer or technician approved, authorized to carry out maintenance and repair under warranty for BC Acoustique. Any unauthorized repairs will void this warranty. This warranty does not cover products sold "AS IS".
- REPAIR OR REPLACEMENT AS PROVIDED UNDER THIS WARRANTY IS THE EXCLUSIVE REMEDY OF THE CONSUMER.
- BC Acoustique NOT BE LIABLE FOR ANY INCIDENTAL OR CONSEQUENTIAL DAMAGES.

Warranty

- Some countries do not allow the exclusion or limitation of incidental or consequential damages or exclusions of implied warranties. Therefore, the limitations or exclusions herein may not apply. This warranty gives you specific legal rights, in addition to other rights which vary from state to state or country to country.

Basic instructions Quick starting guide

Make sure that the device is not plugged into the mains before making any connections. It is also recommended to turn off or disconnect all other devices associated while making connections to the product.

Connect the speakers to the speaker jacks on the back and the sources of the corresponding input jacks on the back.

Connect the power cord to the connector on the one hand AC Mains product and the other to a wall outlet.

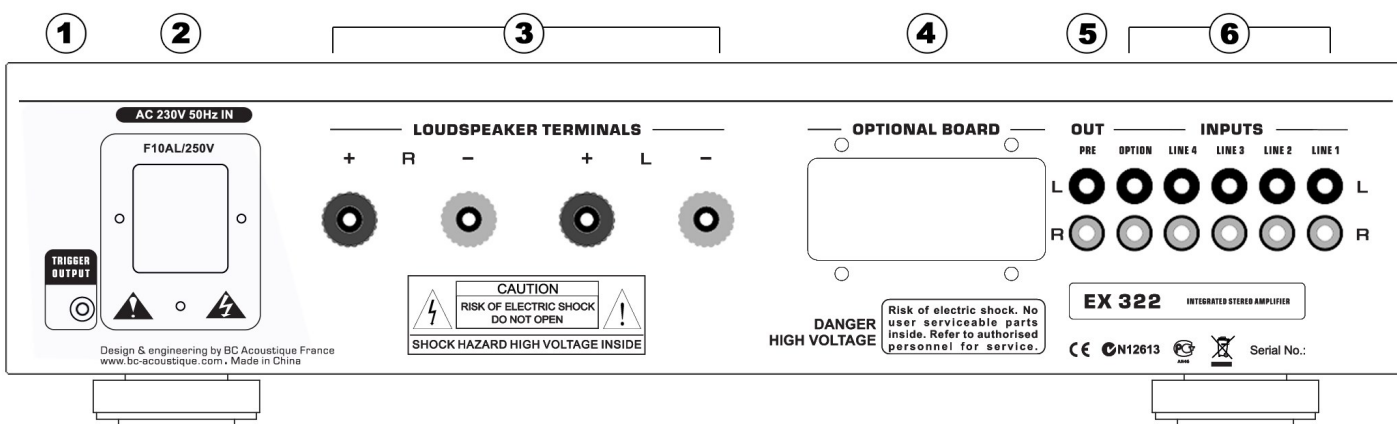
Turn the POWER switch (POWER) ON (ON). [page 6, button ⑦ under the amplifier].

If the unit is equipped with a standby, then press the STANDBY button to turn it on.

Press the input selector for the source you want to hear.

Warning: Be sure to turn off the power switch on your product before making any connections. Similarly it is best to cut the power of the other devices you want to connect to your amplifier.

Rear panel



Connection to the amplifier

① TRIGGER OUTPUT

This 3.5 mm Jack mono output is used to activate or deactivate remotely auxiliary devices connected to the amplifier. When the unit is turned on, the output is switched to 12V. When the unit is turned off, the trigger output is 0V.

② AC MAIN INPUT

Once all connections to the amplifier, plug the power cable into an outlet and turn the unit on. Your amplifier is now ready for use.

③ LOUDSEPAKER TERMINALS

Connect the speaker to the terminals marked RIGHT "+ R" and "R -" ensuring that "R +" is connected to the "+" terminal of the enclosure and "R -" is connected to the terminal "-" the same enclosure. Connect the LEFT speaker to the terminals marked "L +" and "L -" by doing the same.

Make sure that no wires are not insulated can bypass the speaker outputs. Make sure that the speaker terminals are tight enough to ensure a good electrical connection. If the terminal screws are not tight enough, the sound quality may be affected.

Use only dedicated wire to the speaker (a section of 1.5 mm² or more is recommended especially if the cable length is greater than 3m).

Important Note: Check the impedance of your speakers. When using a pair of speakers, you can use speakers with an impedance of between 4 and 8 ohms.

④ OPTIONAL BOARD

This slot allows you to add, when you want, one of the Optional cards for adding one more source, like a digital card that lets you listen to music from a computer.

⑤ PRE OUT (RCA OUTPUT)

This output allows you to use the amplifier as a preamplifier and Therefore connect a power amplifier to upgrade the system.

Connections

⑥ INPUTS: LINE 1 to 4 (RCA)

The LINE 1 to 4 inputs are for connecting "line level" sources to your amplifier. It is designed to receive an "analog" signal (as opposed to "digital" signal). To connect your source we are using a traditional "RCA" cable, they are usually identified by a color code "RED" to the RIGHT and "WHITE" to the LEFT channel.

Connecting a turntable: Most turntables have a "RCA" output but the signal is not compatible with the "line inputs" amplifiers.

To use a turntable, it is necessary to use a "phono preamp" compatible with "cell phono reader" used. There are two families of cells; MM (Moving Magnet) or MC (Moving Coil). The majority of the public is using MM cells format.

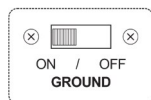
OPTION (RCA)

Without Optional card, this input works as a 5th LINE input. If you use an Optional Card, this RCA input will be disabled in favor, for example, of the optional Bluetooth card allowing you to listen to your music from your Smartphone. In that case, when you are selecting the Option's source button (in front panel), you can listen to music from your Bluetooth device.

Under - Ground switch

SWITCH ANTI-HUM (GROUND ON / OFF)

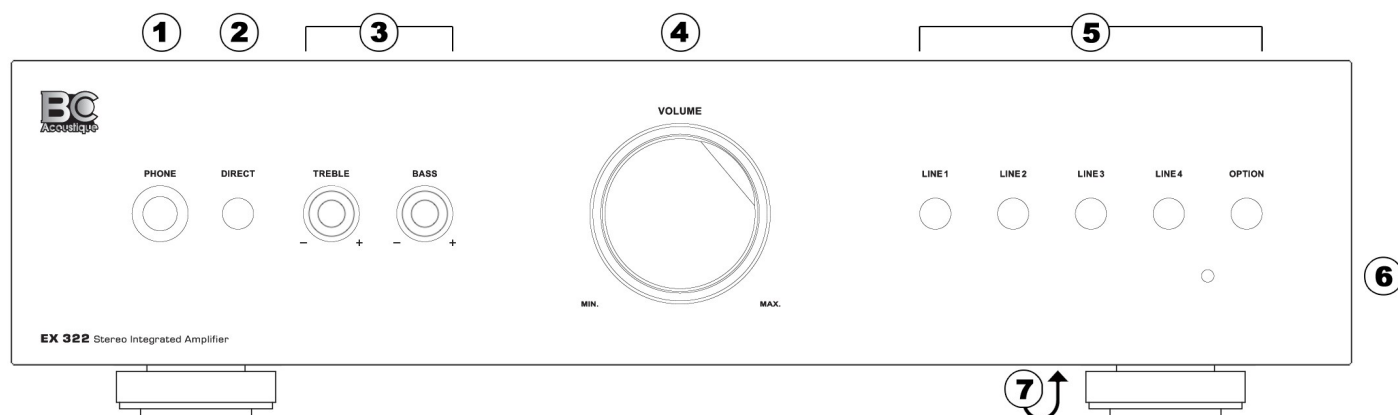
Located under the amplifier at the back.



Your amplifier EX322.1 has a mains socket outlet with a ground connection. The use of this type of connection is recommended for electrical safety reasons (including wetlands). However sometimes this connection "mass" is the origin of "hum" audible from the speakers in a hi-fi system to solve this problem, the cancellation of the ground connection is sometimes sufficient.

To do this you have, under the amplifier, a switch to choose to connect or not the mass of the device to the mains.

Front panel



Connections and uses

① PHONE / HEADPHONES

Important note: Make sure the volume control is turned down before connecting or disconnecting headphones. Listening at high levels can cause permanent hearing damage.

This taken Jack size 6.35 mm allows connection of stereo headphones. It is advisable to use a listener with an impedance between 32 and 600 ohm headphones. When the headset is connected, the output to the speakers are then cut.

② DIRECT

If this function is activated (light signal active), then the BASS and TREBLE functions are disabled. The purpose of this function is to shut down the electronic circuit's tone control and balance in order to best preserve the purity of the music signal.

③ BASS and TREBLE

The button "BASS" setting can act on the relative level of low frequencies to alter the tonal balance of the sound to suit your room acoustics and your tastes. The "TREBLE" button for meanwhile high frequencies.

When these buttons are in the middle position, it means that the tonal balance is not changed. The adjustable range is ± 10 dB.

+10 decibels knob turned in the direction of clockwise and - 10 decibels knob turned anticlockwise.

Tone Controls: These functions only affects music signals output from the speaker outputs and the LINE OUT (RCA). They are not active on the REC output (for recording the original signals).

④ VOLUME

This knob adjusts the output volume of the amplifier at the speaker outputs.

Connection and use

⑤ SOURCE SELECTOR

These buttons select the active input of the amplifier and the signal sent to the speakers, to headphones and Preamp output and REC LINE. The buttons on the remote control are identical to those buttons. Once the selected button, the integrated LED corresponding entry under the particular input button will turn white.

LINE 1 to 4 (INPUTS)

These buttons are used to select sources present on RCA inputs (line level) with the same name located on the rear panel of the amplifier.

OPTION

Without Optional card: This button selects the listening to a 5th source you have connected to the RCA OPTION connectors (rear panel).

With Optional card: This button allows you to select the source to play on your option card. (See notice of the said option card).

Example of option card: Bluetooth card allows you to listen to your music from your Smartphone.

⑥ IR SENSOR

This window receives IR commands (Infra Red) from the remote control. It is essential that there is no obstacle between the remote control and the sensor.

⑦ ON / OFF BUTTON

This switch allows shutdown or operation of the amplifier.

Note: 4 rubber blocs are provided in order to raise the unit, to re-adjust the spacing between two products, providing better ventilation, reducing vibration and to allowing better access to the On / Off switch located under the front panel.

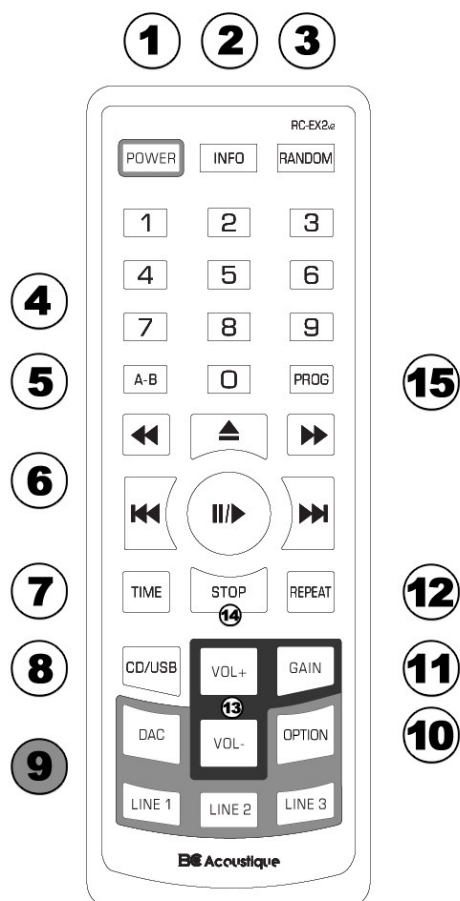
Remote control

The amplifier EX-322.1 comes with an RC-EX2v2 remote control. It was designed to be both compatible with your amplifier but also the possible devices BC Acoustique (including CD players EX series) range.

Note on the battery: Remove the transparent protective tab to activate the battery.

Remote control

- ① POWER: This key does not work for the EX-322.1
- ② INFO: The display panel on the product provides information on the CD.
- ③ RANDOM: Play a random track on CD player
- ④ 1...9.0: Keypad / Track selection
- ⑤ A-B
- ⑥ PAVE CONTOL : REV / STOP / FWD / PREV PAUSE/PLAY / NEXT
- ⑦ TIME
- ⑧ CD/USB
- ⑨ SOURCES: LINE 1 to LINE 3 - DAC - OPTION
Note: The DAC key activates the LINE 4 input on the EX-322.1
- ⑩ OPTION: Selects the source from your option card. If there is no option card, it will serve as input LINE 5.
- ⑪ TONE: bass and treble adjustment
- ⑫ REPEAT
- ⑬ VOL+ / VOL-
- ⑭ STOP: Stop the Repeat function
- ⑮ PROG



Specifications

Preamplifier section

Line level input RCA (LINE 1 to 4, OPTION)

Sensitivity: 200 mV

Impedance: 50 kOhms

Maximum input level: 7 V

Corrections

Bass (± 10 dB à 100 Hz)

Treble (± 10 dB à 10 kHz)

Amplifier section

Continuous average power into 8 Ω : 2x80W

Continuous average power into 4 Ω : 2x140W

Distortion: 0,02% (20 Hz - 20 kHz)

Signal/Noise ration: 95 dB (1W)

Connections

4x RCA line stereo input (LINE 1 to 4)

1x OPTIONAL CARD Input (OPTION or LINE 5)

1x Trigger output (3.5 mm)

1x Headphone output (jack 6,35 mm) front panel

Speaker terminals screw-compatible banana plugs

General

Detachable power cable

UNIT

Dimensions (W×H×D): 430x125x410 mm / Weight: 11.2 kg

BOX

Dimensions (W×H×D): 515x210x405 mm / Weight: 13.2 kg

Volume: 0.044 m³

EAN CODES

EX322.1 Black: 0820103857123

EX322.1 Silver: 0820103857130

Troubleshooting

Here you will find a number of fault description and possible solutions we invite you to read in order to ensure the possibility of an actual breakdown of your device.

The unit does not turn on.

- Make sure the power cord is properly connected.
- Make sure the plug is fully inserted into the wall outlet and there is power.
- Make sure the camera is turned on.
- Check the fuse in the mains plug or adapter if necessary.

There is no sound

- Make sure the unit is not in standby mode.
- Check that the source component is connected properly.
- Make sure your speakers are properly connected.

Troubleshooting

One channel no sound

- Make sure the balance control is in the correct position.
- Check the speaker connections.
- Check interconnects.

A loud humming or buzzing is noticeable

- Check turntable or tonearm to capture an ground fault or a faulty connection.
- Make sure that interconnect cable is loose or defective.
- Make sure your tape deck or turntable is not too close to the amplifier.

The bass is weak or the stereo image is diffuse

Make sure the speakers are not in phase.

The sound is distorted

Make sure that the control settings of volume or tone is not too high.

The remote control does not work

- Check that the batteries have not expired.
- Make sure nothing is blocking the remote sensor.

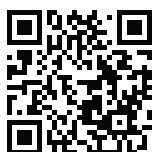
In case the above solutions do not remedy your problem, check our FAQ section (Frequently Asked Questions) on our website: www.bc-acoustique.com

For repair, during or after the warranty, please contact your dealer.

To obtain warranty service and technical support, thank you kindly to register your product online on the website www.bc-acoustique.com at the product registration section.



BC ACOUSTIQUE
BP 306
94709 Maisons-Alfort Cedex France
www.bc-acoustique.com



BC ACOUSTIQUE
BP 306
94709 Maisons-Alfort Cedex France
www.bc-acoustique.com