

TEAC

D01252920A

NT-503

ENGLISH

FRANÇAIS

ESPAÑOL

USB DAC/ Network Player

For information about this unit's network functions, see the Network Manual.

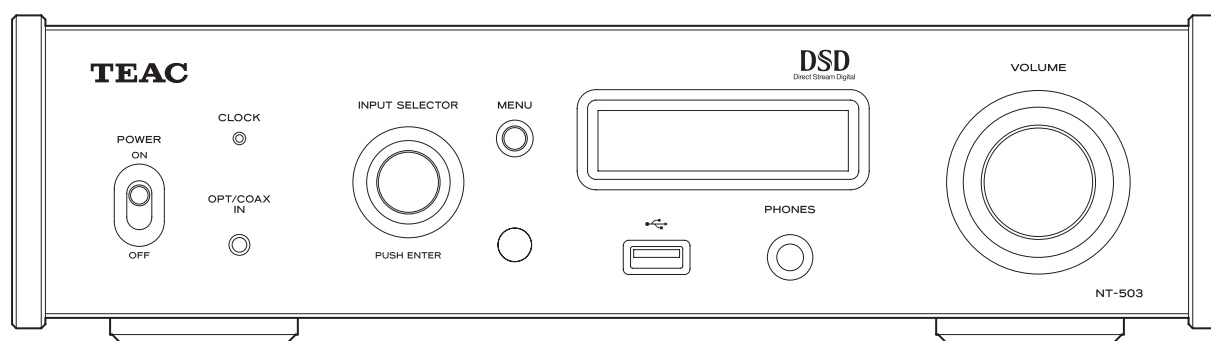
The Owner's Manual and Network Manual can be downloaded from the TEAC Global Site (<http://www.teac-global.com/>).

To play back files on USB flash drives and to use the unit connected to a network, install the dedicated app (free) on a smartphone or tablet, and connect it to the same network as the unit.

OWNER'S MANUAL

MODE D'EMPLOI

MANUAL DEL USUARIO



Trademarks and other legal statements

“DSD” is a registered trademark.

The Bluetooth® word mark and logos are registered trademarks owned by Bluetooth SIG, Inc. and any use of such marks by TEAC CORPORATION is under license.

© 2013 CSR plc and its group companies. The aptX® mark and the aptX logo are trade marks of CSR plc or one of its group companies and may be registered in one or more jurisdictions.

Windows is either a registered trademark or a trademark of Microsoft Corporation in the United States and/or other countries.

Mac, Mac OS, OS X, iPad, iPhone and iPod touch are trademarks of Apple Inc., registered in the U.S. and other countries. App Store is a service mark of Apple Inc.

Android and Google Play are trademarks of Google Inc.

Other company names, product names and logos in this document are the trademarks or registered trademarks of their respective owners.

Information about copyrights and licensing related to open-source software is provided in the separate “Important Notice Regarding Software” document.

Compliance of radio transmitter and interference

Model for USA

Declaration of Conformity

Responsible party:
TEAC AMERICA, INC.

Address: 1834 Gage Road, Montebello, California, U.S.A.

Telephone number : 1-323-726-0303

This device complies with Part.15 of FCC Rules.

Operation is subject to the following two conditions:

- 1) This device may not cause interference
- 2) This device must accept any interference, including interference that may cause undesired operation of the device.



Labeling of authorization
FCC ID: XEG-NT503

Model for Canada

Compliance of radio transmitter

This device complies with Industry Canada RSS standard(s).

Operation is subject to the following two conditions:

- 1) This device may not cause interference
- 2) This device must accept any interference, including interference that may cause undesired operation of the device.

Labeling of authorization
IC: 1559C-NT503

Compliance of interference

This Class B digital apparatus complies with Canadian ICES-003.

Model for EEA (European Economic Area)

This equipment complies with the harmonised standards of DIRECTIVE 1999/5/EC (R&TTE).

Labeling of conformity
CE marking:



CAUTION

Authorization of wireless devices are different in countries or regions. Please use only in the country where you purchased the product.

- Depending on the country, restrictions on the use of Bluetooth wireless technology might exist.

Confirm the laws and regulations of the country or region where you want to use the unit before use.

Radiation Exposure requirements

This equipment meets the regulation, which is recognized internationally, for the case of human exposure to radio waves generated by the transmitter.

Statement of compliance

Model for USA

This equipment complies with FCC radiation exposure limits set forth for an uncontrolled environment and meets the FCC radio frequency Exposure Guidelines.

Model for Canada

This equipment complies with IC RSS-102 radiation exposure limits set forth for an uncontrolled environment.

Model for EEA (European Economic Area)

This equipment complies with EN.62311; Assessment of electronic and electrical equipment related to human exposure restrictions for electromagnetic fields; the harmonised standard of DIRECTIVE 1999/5/EC.

CAUTION

Changes or modifications not expressly approved by the party responsible for compliance could void the user's authority to operate the equipment.

Information for interference (FCC requirements)

This equipment has been tested and found to comply with the limits for a Class B digital device, pursuant to Part 15 of the FCC Rules. These limits are designed to provide reasonable protection against harmful interference in a residential installation.

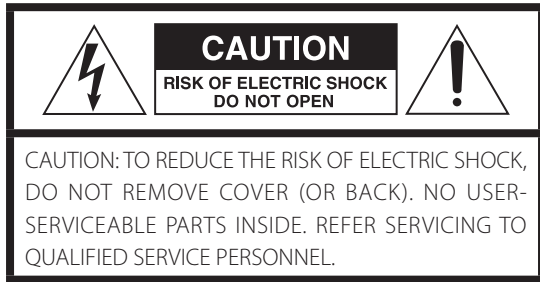
This equipment generates, uses, and can radiate radio frequency energy and, if not installed and used in accordance with the instructions, may cause harmful interference to radio communications.

However, there is no guarantee that interference will not occur in a particular installation.

If this equipment does cause harmful interference to radio or television reception, which can be determined by turning the equipment off and on, the user is encouraged to try to correct the interference by one or more of the following measures.

- Reorient or relocate the equipment and/or the receiving antenna.
- Increase the separation between the equipment and receiver.
- Connect the equipment into an outlet on a circuit different from that to which the receiver is connected.
- Consult the dealer or an experienced radio/TV technician for help.

IMPORTANT SAFETY INSTRUCTIONS



The lightning flash with arrowhead symbol, within an equilateral triangle, is intended to alert the user to the presence of uninsulated "dangerous voltage" within the product's enclosure that may be of sufficient magnitude to constitute a risk of electric shock to persons.



The exclamation point within an equilateral triangle is intended to alert the user to the presence of important operating and maintenance (servicing) instructions in the literature accompanying the appliance.

WARNING: TO PREVENT FIRE OR SHOCK HAZARD, DO NOT EXPOSE THIS APPLIANCE TO RAIN OR MOISTURE.

CAUTION

- DO NOT REMOVE THE EXTERNAL CASES OR CABINETS TO EXPOSE THE ELECTRONICS. NO USER SERVICEABLE PARTS ARE INSIDE.
- IF YOU ARE EXPERIENCING PROBLEMS WITH THIS PRODUCT, CONTACT THE STORE WHERE YOU PURCHASED THE UNIT FOR A SERVICE REFERRAL. DO NOT USE THE PRODUCT UNTIL IT HAS BEEN REPAIRED.
- USE OF CONTROLS OR ADJUSTMENTS OR PERFORMANCE OF PROCEDURES OTHER THAN THOSE SPECIFIED HEREIN MAY RESULT IN HAZARDOUS RADIATION EXPOSURE.

- 1) Read these instructions.
 - 2) Keep these instructions.
 - 3) Heed all warnings.
 - 4) Follow all instructions.
 - 5) Do not use this apparatus near water.
 - 6) Clean only with dry cloth.
 - 7) Do not block any ventilation openings. Install in accordance with the manufacturer's instructions.
 - 8) Do not install near any heat sources such as radiators, heat registers, stoves, or other apparatus (including amplifiers) that produce heat.
 - 9) Do not defeat the safety purpose of the polarized or grounding-type plug. A polarized plug has two blades with one wider than the other. A grounding type plug has two blades and a third grounding prong. The wide blade or the third prong are provided for your safety. If the provided plug does not fit into your outlet, consult an electrician for replacement of the obsolete outlet.
 - 10) Protect the power cord from being walked on or pinched particularly at plugs, convenience receptacles, and the point where they exit from the apparatus.
 - 11) Only use attachments/accessories specified by the manufacturer.
 - 12) Use only with the cart, stand, tripod, bracket, or table specified by the manufacturer, or sold with the apparatus. When a cart is used, use caution when moving the cart/apparatus combination to avoid injury from tip-over.
 - 13) Unplug this apparatus during lightning storms or when unused for long periods of time.
 - 14) Refer all servicing to qualified service personnel. Servicing is required when the apparatus has been damaged in any way, such as power-supply cord or plug is damaged, liquid has been spilled or objects have fallen into the apparatus, the apparatus has been exposed to rain or moisture, does not operate normally, or has been dropped.
- The apparatus draws nominal non-operating power from the AC outlet with its POWER or STANDBY/ON switch not in the ON position.
 - The mains plug is used as the disconnect device; the disconnect device shall remain readily operable.
 - Caution should be taken when using earphones or headphones with the product because excessive sound pressure (volume) from earphones or headphones can cause hearing loss.



CAUTION

- Do not expose this apparatus to drips or splashes.
- Do not place any objects filled with liquids, such as vases, on the apparatus.
- Do not install this apparatus in a confined space such as a book case or similar unit.
- The apparatus should be located close enough to the AC outlet so that you can easily reach the power cord plug at any time.
- If the product uses batteries (including a battery pack or installed batteries), they should not be exposed to sunshine, fire or excessive heat.
- CAUTION for products that use replaceable lithium batteries: there is danger of explosion if a battery is replaced with an incorrect type of battery. Replace only with the same or equivalent type.

WARNING

Products with Class I construction are equipped with a power supply cord that has a grounding plug. The cord of such a product must be plugged into an AC outlet that has a protective grounding connection.

IN USA/CANADA, USE ONLY ON 120 V SUPPLY.

⚠ Precautions concerning batteries

Misuse of batteries could cause them to rupture or leak leading to fire, injury or the staining of nearby things. Please read and observe the following precautions carefully.

- Be sure to insert the batteries with correct positive (⊕) and negative (⊖) orientations.
- Use batteries of the same type. Never use different types of batteries together.
- If the remote control is not used for a long time (more than a month), remove the batteries to prevent them from leaking.
- If the batteries leak, wipe away the leakage inside the battery compartment and replace the batteries with new ones.
- Do not use batteries of types other than those specified. Do not mix new batteries with old ones or use different types of batteries together.
- Do not heat or disassemble batteries. Never throw batteries into fire or water.
- Do not carry or store batteries with other metallic objects. The batteries could short circuit, leak or explode.
- Never recharge a battery unless it is confirmed to be a rechargeable type.

For European Customers

Disposal of electrical and electronic equipment and batteries and/or accumulators

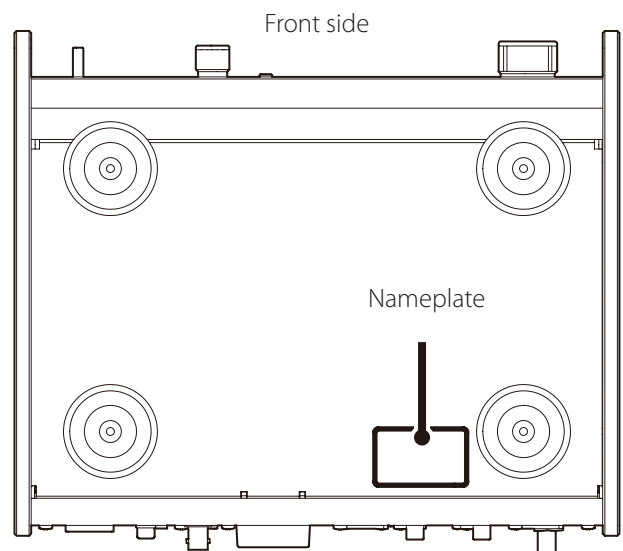
- All electrical/electronic equipment and waste batteries/accumulators should be disposed of separately from the municipal waste stream via collection facilities designated by the government or local authorities.
- By disposing of electrical/electronic equipment and waste batteries/accumulators correctly, you will help save valuable resources and prevent any potential negative effects on human health and the environment.
- Improper disposal of waste electrical/electronic equipment and batteries/accumulators can have serious effects on the environment and human health because of the presence of hazardous substances in the equipment.
- The Waste Electrical and Electronic Equipment (WEEE) symbols, which show wheeled bins that have been crossed out, indicate that electrical/electronic equipment and batteries/accumulators must be collected and disposed of separately from household waste. If a battery or accumulator contains more than the specified values of lead (Pb), mercury (Hg), and/or cadmium (Cd) as defined in the Battery Directive (2006/66/EC), then the chemical symbols for those elements will be indicated beneath the WEEE symbol. **Pb, Hg, Cd**
- Return and collection systems are available to end users. For more detailed information about the disposal of old electrical/electronic equipment and waste batteries/accumulators, please contact your city office, waste disposal service or the shop where you purchased the equipment.

DECLARATION OF CONFORMITY

We, TEAC AUDIO EUROPE, Liegnitzer Straße 6, 82194 Gröbenzell, Germany declare in own responsibility, the TEAC product described in this manual is in compliance with the corresponding technical standards.



The nameplate is located on the bottom of the unit as shown below.



Contents

Thank you for choosing TEAC.
Read this manual carefully to get the best performance from this unit. After reading it, keep it in a safe place for future reference.

ATTENTION

- For information about this unit's network functions, see the Network Manual.
- The Owner's Manual and Network Manual can be downloaded from the TEAC Global Site (<http://www.teac-global.com/>).
- To play back files on USB flash drives and to use the unit connected to a network, install the dedicated app (free) on a smartphone or tablet, and connect it to the same network as the unit.

Wireless equipment precautions	3
IMPORTANT SAFETY INSTRUCTIONS	4
Included items	6
Before use	6
Maintenance	7
Using the TEAC Global Site.....	7
Product registration	7
Downloading the remote app	7
Connections.....	8
Connections (front panel).....	10
Connecting headphones	11
Upconversion	11
Names and functions of parts (main unit)	12
Using the remote control	13
Names and functions of parts (remote control).....	14
Basic operation	15
Display	16
Bluetooth® wireless technology.....	18
Settings	20
Playing back music on a computer.....	23
Troubleshooting.....	25
Specifications.....	27

Included items

Check to be sure the box contains all the included items shown below.

Please contact the store where you purchased this unit if any of these items are missing or have been damaged during transportation.

Power cord × 1

RCA conversion (RCA to mini plug) cable × 1

Remote control (RC-1320) × 1

Batteries for remote control (AAA) × 2

Owner's manual (this document) × 1

- Keep this manual in a safe place for future reference.

Warranty card × 1 (for users in the USA and Canada only)

- Users in Europe and other countries and regions should see the back of this document for information about the warranty.

Before use

⚠ Precautions for use

- Do not install this unit in a location that could become hot. This includes places that are exposed to direct sunlight or near a radiator, heater, stove or other heating equipment. Moreover, do not place it on top of an amplifier or other equipment that generates heat. Doing so could cause discoloration, deformation or malfunction.
- Avoid locations that are extremely cold or exposed to excessive humidity or dust.
- When installing this unit, leave a little space (at least 3 cm or 8") between it and walls and other devices in order to allow good heat dissipation. If you put it in a rack, for example, leave at least 5 cm (2") open above it and at least 10 cm (4") open behind it. Failure to provide these gaps could cause heat to build up inside and result in fire.
- Place the unit in a stable location near the audio system that you will use with it.
- DO NOT place anything, not even CDs, CD-Rs, LP records or cassette tapes, on top of the units. Doing so could cause damage.
- The voltage supplied to the unit should match the voltage printed on the rear panel. If you are in any doubt regarding this matter, consult an electrician.
- Do not move the unit during use.
- Do not open the body of the unit because this could result in damage to the circuitry or cause electric shock. If a foreign object should enter the unit, contact your dealer.
- When removing the power plug from the wall outlet, always pull directly on the plug; never yank on the cord.

Maintenance

Wipe dirt from the top cover and other panel surfaces using a soft cloth that has been slightly dampened with a diluted neutral cleanser.

Do not wipe with chemical cleaning cloths, thinner or other chemical agents. Doing so could damage the surface.

⚠ For your safety, disconnect the power cord from the socket before cleaning.

Using the TEAC Global Site

You can download updates for this unit from the TEAC Global Site:
<http://teac-global.com/>

- 1) Open the TEAC Global Site.
- 2) In the TEAC Downloads section, click the desired language to open the Downloads website page for that language.

NOTE

If the desired language does not appear, click Other Languages.

- 3) Click the "Search by Model Name" section to open the Downloads page for that product. (Users in Europe should click the product name in the "Products" section instead.)
- 4) Select and download the updates that are needed.

Product registration

Customers in the USA, please visit the following TEAC website to register your TEAC product online.

<http://audio.teac.com/support/registration/>

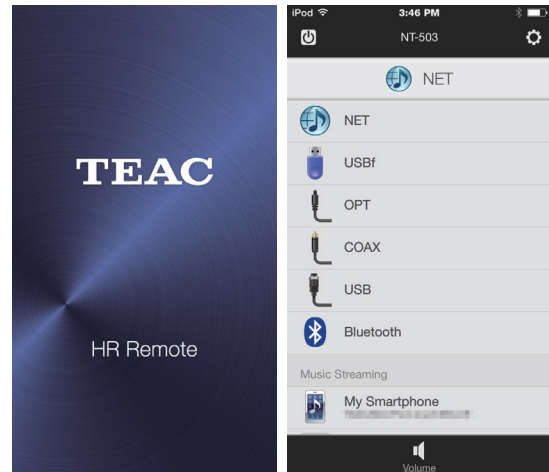
Downloading the remote app

To play back files on USB flash drives and to use the unit connected to a network, install the dedicated app (free) on a smartphone or tablet, and connect it to the same network as the unit.

- For details, see the Network Manual.

If you install the app on an iPad/iPhone/iPod touch or Android device, you can use it over a wireless network for basic control of the unit.

- You can download and use the app for free.



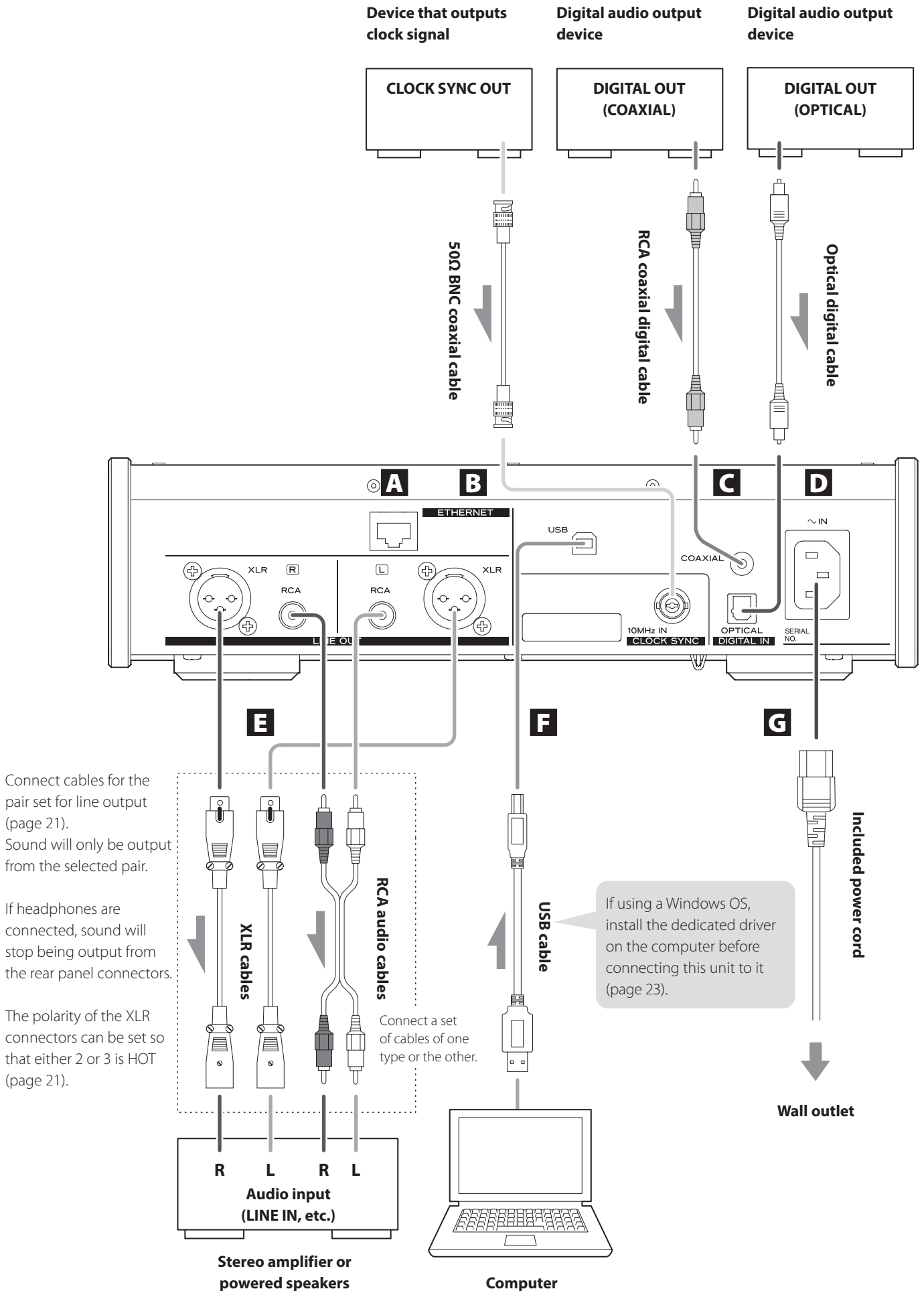
How to download the iPad/iPhone/iPod touch app

Search for "TEAC HR Remote" in the App Store.

How to download the Android app

Search for "TEAC AVR Remote" on the Google Play website.

Connections



A ETHERNET port

Connect a commercially-available LAN cable to this port when you want to connect this unit to a wired network or the Internet.

- When switching input sources, this port is labeled "NET".

B CLOCK SYNC input connector (10MHz IN)

Input a synchronization signal (clock sync) here. To input a 10MHz oscillator signal, connect the oscillator output here (page 27).

- Use a commercially-available BNC coaxial cable (50 Ω) for connection.
- Clock sync is only possible when the input source is USB, USBf or NET.

C RCA COAXIAL digital audio input connector

Use this to input digital audio. Connect the coaxial digital audio output connector of an audio device to it.

Use a commercially-available RCA coaxial digital cable for connection.

D OPTICAL digital audio input connector

Use this to input digital audio. Connect the optical digital audio output connector of an audio device to it.

Use a commercially-available optical digital cable with a rectangular connector for connection.

E Analog audio output connectors (LINE OUT)

These output 2 channels of analog audio. Connect these XLR or RCA connectors to a stereo amplifier or powered speakers.

Use commercially available cables for connections.

XLR: balanced XLR cables
RCA: RCA audio cables

Connect this unit's R connector to the R connector of the amplifier and its L connector to the L connector of the amplifier.

F USB port (rear)

Use to input digital audio from a computer. Connect it to a computer's USB port.

Use a commercially-available USB2.0 cable (A-B type) for this connection.

ATTENTION

Before connecting a computer that is running a Windows OS, you must install the dedicated driver on the computer (page 23).

Proper connection is not possible with a computer that does not have this driver installed.

G Power inlet (~IN)

Insert the included power cord here.

After completing all other connections, insert the power plug into a power outlet.

⚠ Use only the included power cord. Use of other power cords could result in fire or electric shock. Unplug the cord from the outlet when not using the unit for a long time.

⚠ Complete all other connections before turning the unit on.

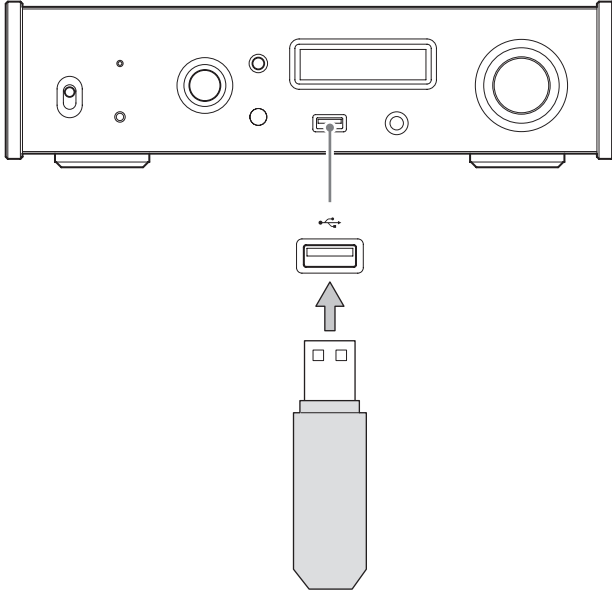
- Carefully read the manuals of the devices that you are connecting and follow their instructions when making connections.
- Do not bundle connecting cables with power cords. Doing so could cause noise.
- Connect all plugs completely.

Connections (front panel)

USB flash drives

Connect USB flash drives to the USB port on the front of the unit. To play music files on a USB flash drive, set the input source to NET and use the app for playback.

- For details, see the Network Manual.



Digital audio input (OPT/COAX IN)

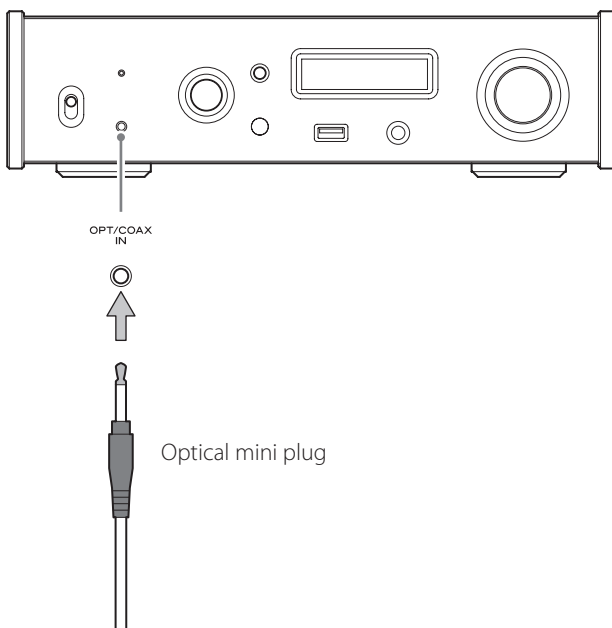
This input connector can be used for both optical (OPT) and coaxial (COAX) connections.

Optical (OPT) connection

Use a commercially-available optical cable with a mini plug.

To enable this input, turn the INPUT SELECTOR knob to select OPTf.

- The "f" indicates the front panel.

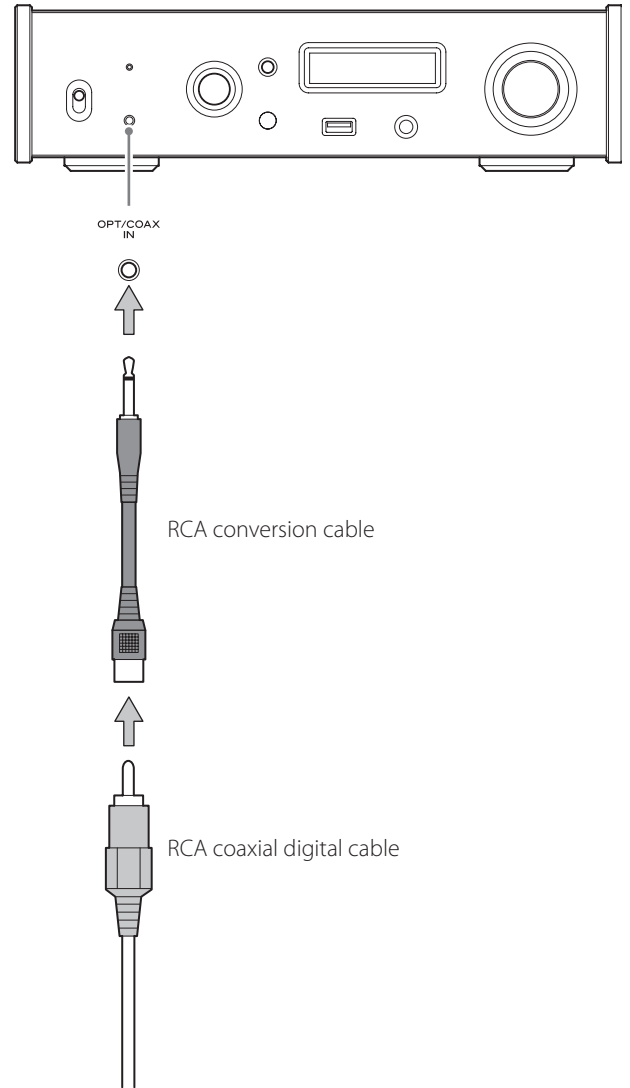


Coaxial (COAX) connection

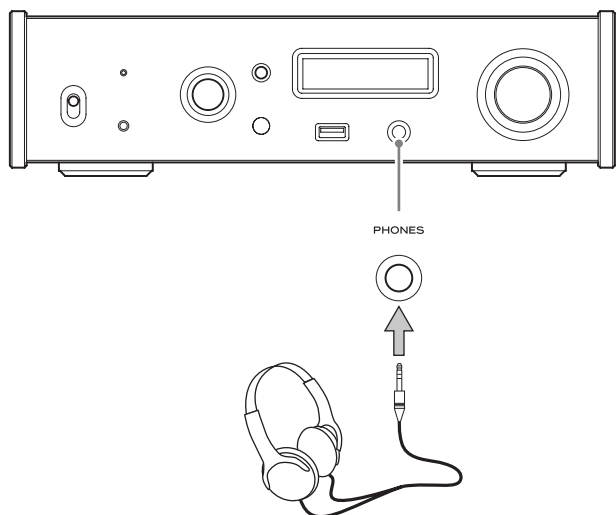
Use the included RCA conversion cable and a **commercially-available RCA coaxial digital cable**.

To enable this input, turn the INPUT SELECTOR knob to select COAXf.

- The "f" indicates the front panel.



Connecting headphones



⚠ CAUTION

While wearing headphones, do not connect or disconnect them or turn the unit on or off.

Doing so could result in a sudden loud noise that could harm your hearing.

Always set the volume to minimum ($-\infty$ dB) before putting headphones on (page 15).

Upconversion

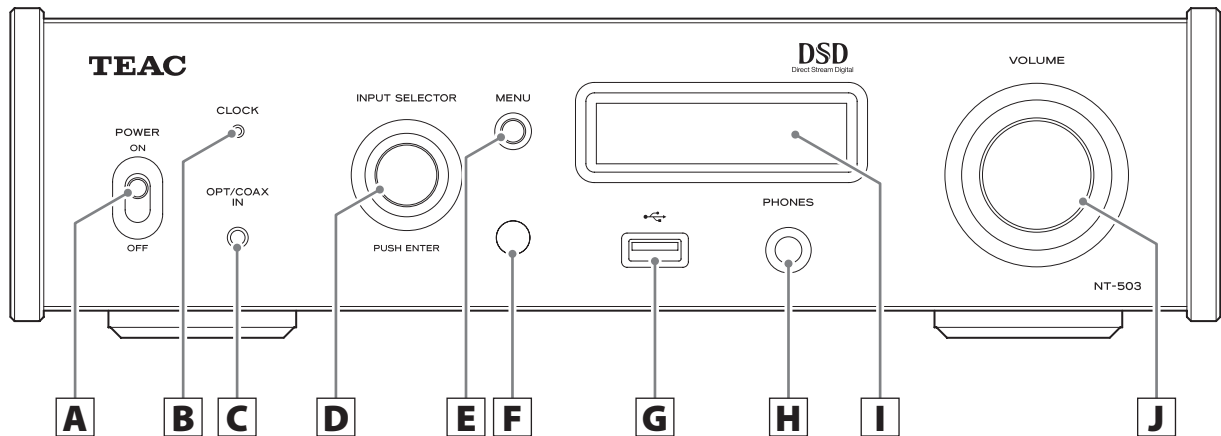
You can use the upconversion function with digital input, including the OPT/COAX IN connector, and the USB (front) and USB (rear) ports (page 21).

The relationships between input sampling frequencies and sampling frequencies after upconversion are as follows.

Input source		Upconversion setting				
Digital audio input	USB	OFF	2Fs	4Fs	8Fs	DSD
Input sampling frequency		Sampling frequency after upconversion				
[kHz]		[kHz]			[MHz]	
32	–	32	64	128	256	8.0
44.1	44.1	44.1	88.2	176.4	352.8	11.2
88.2	88.2	88.2	88.2	176.4	352.8	11.2
176.4	176.4	176.4	176.4	176.4	352.8	11.2
–	352.8	352.8	352.8	352.8	352.8	11.2
48	48	48	96	192	384	12.2
96	96	96	96	192	384	12.2
192	192	192	192	192	384	12.2
–	384	384	384	384	384	12.2

Values indicated by are unchanged.

Names and functions of parts (main unit)



A POWER switch

Use to turn the unit on and off.

- If the display is dark even though the POWER switch is set to ON, the cause is usually one of the following.
 - The power is on, but DIMMER (display brightness) is set to OFF (page 22).
 - The automatic power saving function has put the unit into standby.
 - The power cord is disconnected.

To turn the unit on, press the STANDBY/ON button on the remote control, or set the power switch to OFF once and then back to ON.

B CLOCK indicator

This shows the clock synchronization status.

Lit: The unit is synchronized with the clock from the CLOCK SYNC input connector (10MHz IN).

Blinking: No clock is being input or the unit is not being synchronized.

Unlit: No clock sync is occurring.

- See page 21 for clock sync settings.

C Digital audio input (OPT/COAX IN)

Use this to input digital audio (page 10).

Optical connection: Use an optical cable with a mini plug.

Coaxial connection: Use the included RCA conversion cable.

D INPUT SELECTOR knob

Use to select the input source.

Use to change setting values when a menu item is shown.

Press to use as an ENTER button.

Turn when the menu is open to change the item shown or the setting value.

E MENU button

Press to enter setting mode (page 20).

Press when in setting mode to return to the previous screen.

F Remote control signal receiver

This receives signals from the remote control. When operating the remote control, point it at the remote control signal receiver.

Using the remote control

EN

G USB port (front)

Connect USB flash drives here.

- To play music files on a USB flash drive, set the input source to NET and use the app for playback.
- Do not connect a computer to the USB port on the front of the unit. To input audio from a computer, connect it to the USB port on the back of the unit.
- For details, see the Network Manual.

H PHONES jack

Connect headphones with a standard 6.3 mm (1/4") stereo plug here (page 11).

- If headphones are connected to this unit, audio will not be output from the analog audio outputs on the rear panel.

I Display

This display shows information about the audio playing back and menu screens.

J VOLUME knob

Use to adjust the headphones output volume. Turn right to increase and left to decrease the volume.

- To enable adjustment of this unit's analog audio output volume, set LINE OUT LEVEL to VARIABLE ("Line output level" on page 22). This will enable adjustment of the analog output level using this unit's VOLUME knob.
- Volume settings are retained separately for analog audio output and headphone output.

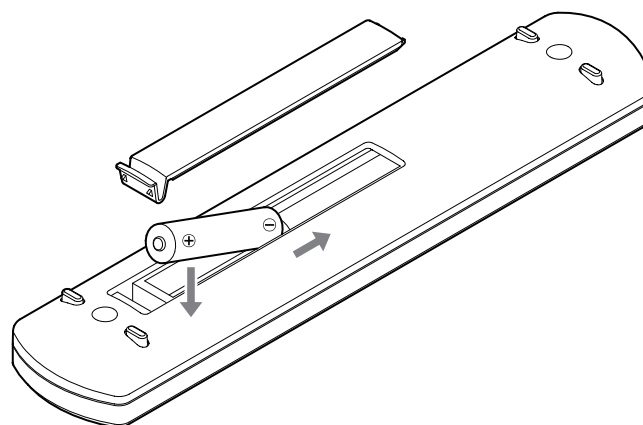
Precautions for use

⚠ Misuse of batteries could cause them to rupture or leak, which might result in fire, injury or the staining of nearby materials. Please carefully read and observe the precautions on page 5.

- When using the remote control, point it toward the remote control signal receiver on the main unit from a distance of 5 m (16 ft) or less. Do not place obstructions between the main unit and the remote control.
- The remote control might not work if the remote control signal receiver on the unit is exposed to direct sunlight or bright light. If this occurs, try moving the unit.
- Beware that use of this remote control could cause the unintentional operation of other devices that can be controlled by infrared rays.

Installing batteries

Remove the cover from the back of the remote control and insert two AAA batteries with their \oplus/\ominus ends oriented in the case as shown. Replace the cover.

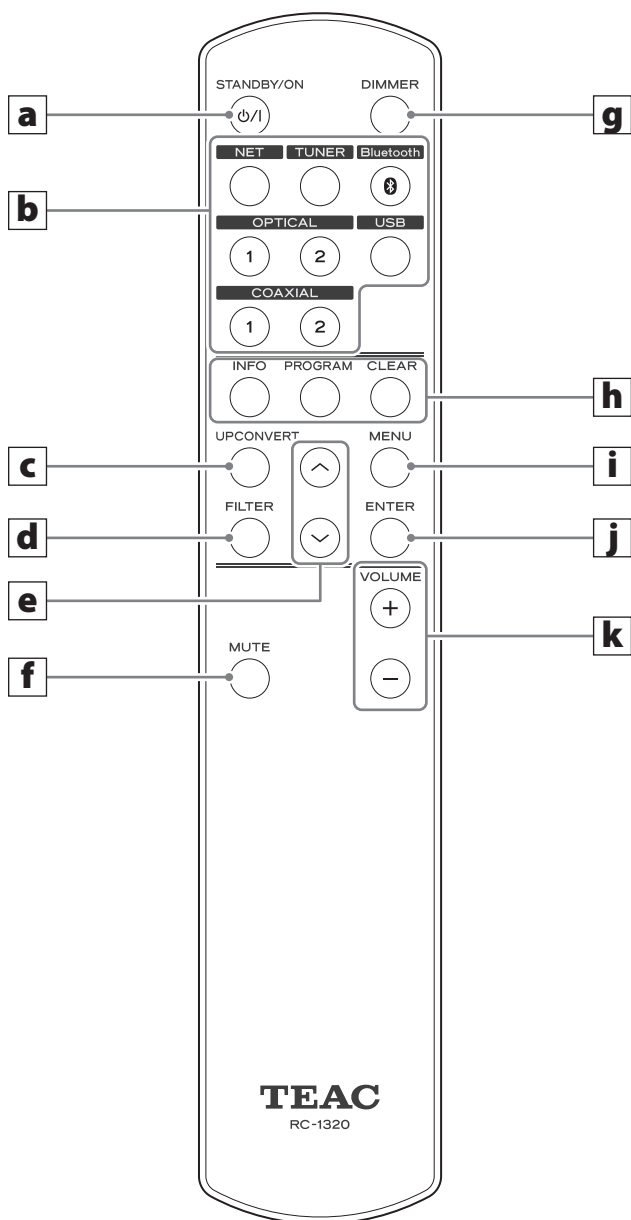


When to replace batteries

If the distance required between the remote and the main unit decreases or if the unit stops responding to the remote buttons, replace both batteries with new ones.

Dispose of the used batteries according to the instructions on them or requirements set by your local municipality.

Names and functions of parts (remote control)



a STANDBY/ON button

Press to put the unit into standby mode or turn it on.

b INPUT buttons

Use to select the playback source.

- The USB button selects the rear USB port.
- The TUNER button is not used with this unit.

c UP CONVERT button

Use to change the upconversion setting.

d FILTER button

Use to change the filter setting.

This changes the filter according to the input (PCM or DSD).

e Up/down (∧/∨) buttons

Use to select setting items.

f MUTE button

Press to mute the sound temporarily.

g DIMMER button

Use to adjust the brightness of the main unit's display.

h INFO, PROGRAM and CLEAR buttons

These buttons are not used with this unit.

i MENU button

Press to enter setting mode (page 20).

Press when in setting mode to return to the previous screen.

j ENTER button

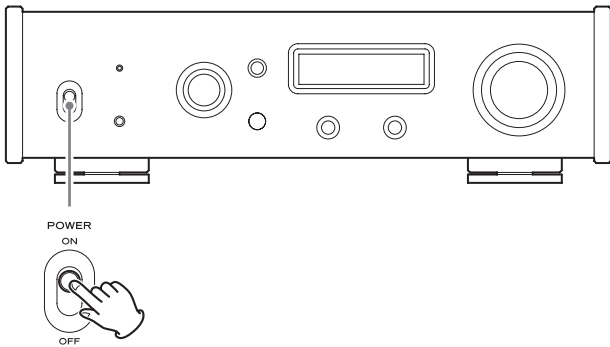
Press to confirm the selected item.

k VOLUME (+/-) buttons

Use these buttons to adjust the volume.

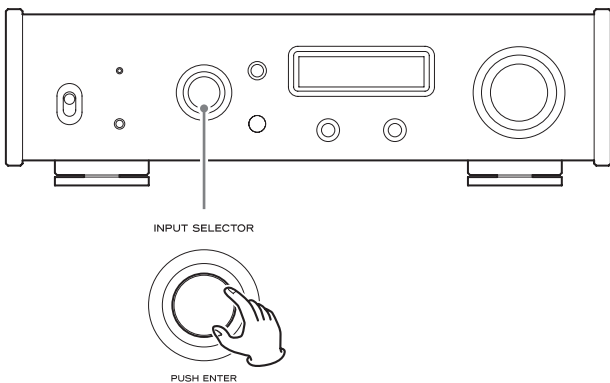
When the main unit and the remote control both have buttons with the same functions, this manual explains how to use one of the buttons. The other corresponding button can be used in the same manner.

1 Shift the POWER switch to its ON position to turn the unit on.



- If a stereo amplifier is connected to this unit, always turn its power ON very last.

2 Turn the INPUT SELECTOR knob to select the input source.



The selected source appears on the display.

- You can also use the up and down (∧, ∨) buttons on the remote control.
- If the input signal is not a digital audio signal or is an audio signal format that is not supported by this unit, such as Dolby Digital or DTS, "NOT AUDIO!" will appear on the screen and no audio will be output. Set the digital output of the connected device to PCM audio output.
- To use a computer running a Windows OS to play back audio files when this unit is set to USB, you must first install a dedicated driver on the computer before connecting them (page 23).
- DSD data can only be played back using the front and rear USB ports or a DoP format digital input.
- To use NET or the front USB port, install the dedicated app (free) on a smartphone or tablet, and connect it to the same network as the unit.

3 Operate the playback device.

Refer to the operation manual of that device.

4 Adjust the volume.

When using the line outputs

When LINE OUT LEVEL is set to VARIABLE, turn this unit's VOLUME knob to adjust the volume.

When LINE OUT LEVEL is set to any other setting, the volume cannot be adjusted from this unit. Use the stereo amplifier or other device connected to this unit to adjust the volume.

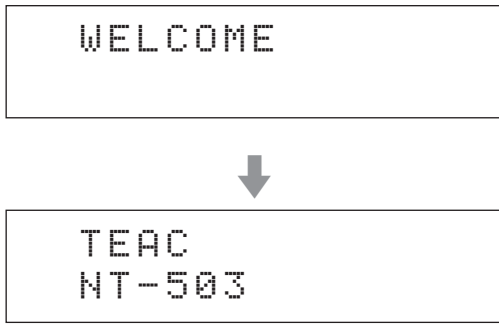
When headphones are connected to this unit

Turn this unit's VOLUME knob to adjust the volume.

- When this unit's VOLUME knob is enabled, the volume setting will be shown.

Display

When on



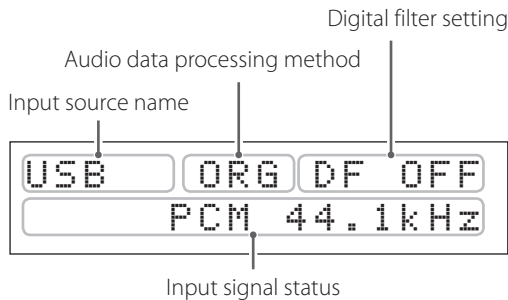
After the above messages appear, the input source will be shown on the display.

Input source information display

The input source information display will appear after turning the unit on as well as when about 10 seconds pass without operation when a setting screen is open.

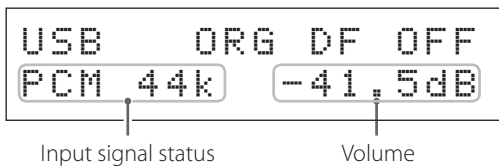
Display example

When headphones are not connected and LINE OUT LEVEL is set to FIX or OFF



- Turning the VOLUME knob will not change the volume.

When headphones are connected or LINE OUT LEVEL is set to VARIABLE



- Turning the VOLUME knob will change the volume, and the volume will appear to the right of the input signal status.

Input source name

This shows the name of the selected source.

The names shown on the display correspond to the selected connectors as follows.

USB

USB port (rear)

COAX

RCA COAXIAL digital audio input connector on the rear panel

COAXf

Coaxial connection with the digital audio input (OPT/COAX IN) on the front panel

OPT

OPTICAL digital audio input connector on the rear panel

OPTf

Optical connection with the digital audio input (OPT/COAX IN) on the front panel

NET

ETHERNET port

USBf

USB port (front)

- Set the input source to NET and then select this with the app.

Bluetooth

Bluetooth device

Audio data processing methods

ORG

The original input signal is sent directly to the D/A converter without upconversion.

2Fs

4Fs

8Fs

DSD

The upconversion shown will be used (page 21).

DoP

DSD signal is received by DoP (DSD over PCM) method.

Digital filter setting

This shows the digital filter setting (page 21).

Input signal status

This shows the input source signal status.

UNLOCK!

The unit cannot synchronize with the input signal.

NOT AUDIO!

A signal with a format that cannot be played is being received.

UNCONNECTED!

The input source is USB (rear USB port), but no USB cable is connected to the unit.

The input source is NET, but no USB cable is connected to the unit.

The input source is USBf (front USB port), but no USB flash drive is connected to the unit.

READY

The input source is USB (rear USB port), NET or USBf (front USB port) and a device is connected, but no audio signal is being received.

PCM 32kHz

PCM 44.1kHz

PCM 48kHz

PCM 88.2kHz

PCM 96kHz

PCM 128kHz

PCM 176.4kHz

PCM 192kHz

PCM 256kHz

PCM 352.8kHz

PCM 384kHz

DSD 2.8MHz

DSD 5.6MHz

DSD 11.2MHz

These show the input signal type and sampling frequency.

SBC

AAC

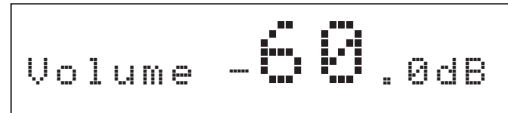
aptX

When the input source is Bluetooth, the codec type is shown.

Volume display

The volume setting will be shown when you turn this unit's VOLUME knob.

Display example



Bluetooth® wireless technology

Bluetooth® notes

When using this unit with a mobile phone or other Bluetooth devices, they should be no more than about 10 m (33 ft) apart.

Depending on the circumstances of use, however, the effective transmission distance might be shorter.

Wireless communication with every device that supports Bluetooth wireless technology is not guaranteed.

To determine the compatibility between this unit and another device that supports Bluetooth wireless technology, refer to that device's operation manual or contact the shop where you purchased it.

Profiles

This unit supports the following Bluetooth profiles.

- A2DP (Advanced Audio Distribution Profile)
- AVRCP (Audio/Video Remote Control Profile)

In order to transfer audio using Bluetooth wireless transmission, the Bluetooth device must support A2DP.

In order to control playback on the Bluetooth device, it must support AVRCP.

Even if a Bluetooth device supports the same profiles, though, its functions might differ according to its specifications.

Codecs

This unit supports the following codecs. It will automatically select one of them during audio transfer.

- SBC
- AAC
- aptX

The unit will select the appropriate codec to use according to the codec compatibility of the other Bluetooth device and communication conditions.

NOTE

You cannot select the codec to be used by pressing a button, for example.

Due to characteristics of Bluetooth wireless technology, playback from a Bluetooth device will be slightly delayed compared to playback from this unit.

Content protection

This unit supports SCMS-T as a form of content protection when transmitting audio, so it can play protected audio.

Transmission security

This unit supports security functions during Bluetooth wireless transmission in accordance with the Bluetooth standard specifications, but it does not guarantee the privacy of such transmissions. TEAC CORPORATION will bear no responsibility should an information leak occur during Bluetooth wireless transmission.

Pairing with another Bluetooth device

Pairing this unit with another Bluetooth device is necessary the first time you connect with that Bluetooth device.

1 Turn the INPUT SELECTOR knob to select Bluetooth.



Bluetooth
SELECT DEVICE?

- If no paired device is available, "NO PAIRED DEVICE" will appear.

2 Enable Bluetooth transmission on the other Bluetooth device.

3 Press and hold the INPUT SELECTOR knob to enter pairing mode.



Bluetooth
PAIRING

- "PAIRING" blinks when pairing.

4 On the other Bluetooth device, select "NT-503" (this unit).

After this unit enters pairing mode, pair with it from the other Bluetooth device.

For details, refer to the operation manual of that Bluetooth device.

After connection, the display will show the input source.

- If a request for a passcode appears on the screen of the Bluetooth device, enter "0000" (four zeros).

Playback from a Bluetooth device

- Pair this unit the first time you use it and when you want to connect it with a new Bluetooth device (page 18).
- When pairing or connecting with another Bluetooth device, they should be within a few meters of each other. If they are too far apart, pairing and connection afterwards might become impossible.

1 Turn the INPUT SELECTOR knob to select Bluetooth.



This sets the source to Bluetooth.

- You can also use the up and down (∧, ∨) buttons on the remote control.
- The unit retains the same source mode even when in standby. So, this step can be skipped if the unit had already been in Bluetooth mode when it was put into standby.

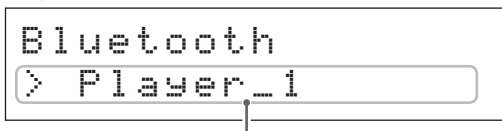
2 Enable Bluetooth transmission on the other Bluetooth device.

3 Press the INPUT SELECTOR knob to show already paired Bluetooth devices.

The bottom line of the display shows the name of the last connected device.

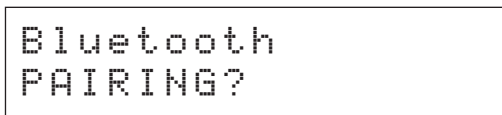
- You can also use the ENTER button on the remote control.

Display example



Name of last connected device

- The first 14 characters of the device name are shown.
- If no paired device is available, the display will appear as follows.



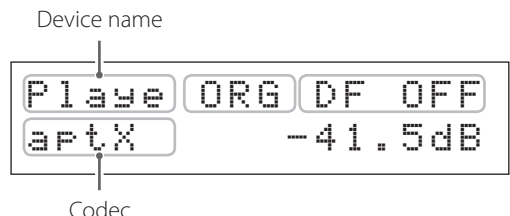
Press and hold the INPUT SELECTOR knob to enter pairing mode (page 18).

4 Press the INPUT SELECTOR knob to connect.

- If there are multiple paired devices, turn the INPUT SELECTOR knob to show other devices. When the name of the device that you want to connect is shown, press the INPUT SELECTOR knob.

After connection, the display will show the input source.

Display example



- The first 5 characters of the device name are shown.
- If characters other than English letters and numbers are included in the device name, it will not be shown properly.

⚠ ATTENTION

Regardless of the connection status of this unit and the other Bluetooth device, if the input source is not shown, restart both this unit and the other device and then connect them again.

5 Start playback on the other Bluetooth device.

- Confirm that the volume is turned up on the other Bluetooth device. If you do not turn up the volume on the playback device, no sound might be output from this unit.

6 Turn this unit's VOLUME knob to adjust the volume.

- You can also use the VOLUME buttons on the remote control.
- Depending on the connected Bluetooth device, you might not be able to adjust the volume. For details, refer to the operation manual of that Bluetooth device.

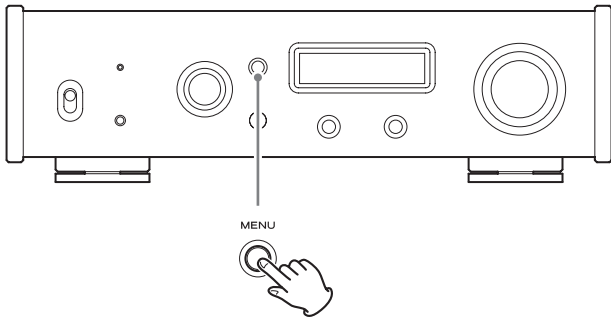
Muting playback

If you want to temporarily mute the volume of this unit, press the MUTE button on the remote control.

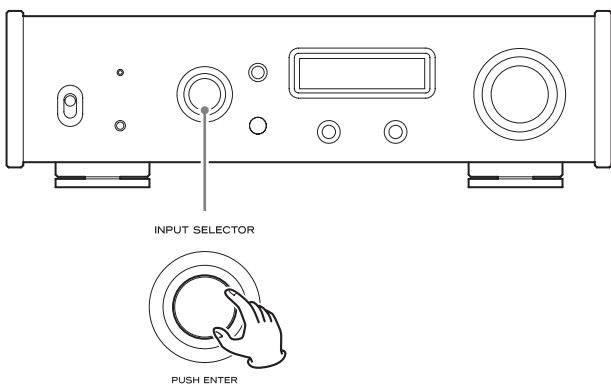
Press the MUTE button on the remote control again to return to the previous volume level.

Settings

1 Press the MENU button to show the setting items.

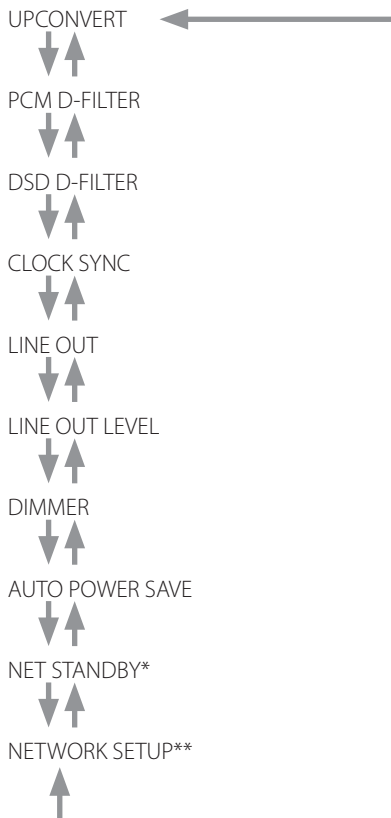


2 Turn the INPUT SELECTOR knob to show the setting to be changed.



- You can also use the up and down (∧, ∨) buttons on the remote control.

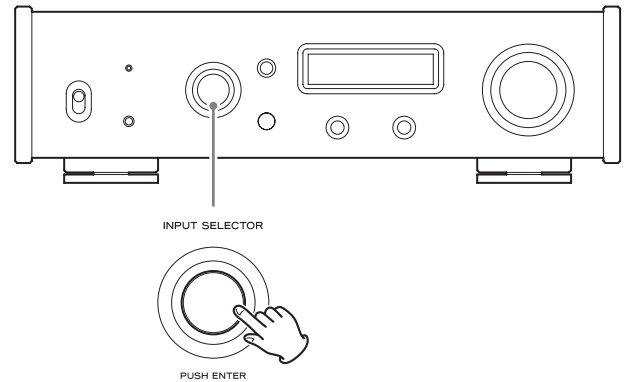
The menu items appear in the following order.



*For details, see the Network Manual.

**Shown only when the input source is NET/USBf

3 Press the INPUT SELECTOR knob to confirm the selection.

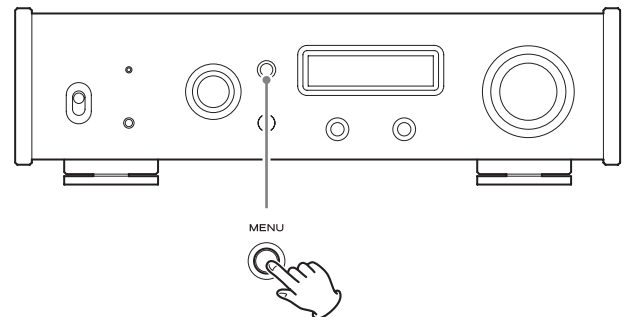


- You can also press the ENTER button on the remote control.
- The currently set value is shown on the display.

4 Turn the INPUT SELECTOR knob to change the setting value.

- You can also use the up and down (∧, ∨) buttons on the remote control.
- Press the MENU button to return to setting item selection.

5 When you are done changing settings, press the MENU button to show the input source status again.



- If you do not do anything for about 10 seconds, the display will return to showing the input source status.

Upconversion

Use to activate the upconversion circuit when receiving PCM format signals.

- See page 11 for the relationships between input sampling frequencies and sampling frequencies after upconversion.

```
*UPCONVERT
> OFF
```

OFF

The original input signal is sent directly to the D/A converter without upconversion.

2Fs

If the input audio signal is less than 2x a standard sampling frequency (32, 44.1 or 48 kHz), it is upconverted 2x and then sent to the D/A converter.

4Fs

If the input audio signal is less than 4x a standard sampling frequency (32, 44.1 or 48 kHz), it is upconverted 4x and then sent to the D/A converter.

8Fs

If the input audio signal is less than 8x a standard sampling frequency (32, 44.1 or 48 kHz), it is upconverted 8x and then sent to the D/A converter.

DSD

The input source is converted to DSD digital format, and then sent to the D/A converter.

PCM digital filter

Use to set the digital filter when receiving PCM format signals.

```
*PCM D-FILTER
> OFF
```

OFF

The digital filter is disabled.

FIR SHARP

An FIR filter with a steep roll-off is used to sharply cut signals outside the audio band.

FIR SLOW

An FIR filter with a slow roll-off is used to gently cut signals outside the audio band.

SDLY SHARP

A short delay filter with a steep roll-off is used to sharply cut signals outside the audio band.

SDLY SLOW

A short delay filter with a slow roll-off is used to gently cut signals outside the audio band.

- When receiving signals at 352.8 kHz or 384 kHz, the digital filter will be disabled during playback regardless of this setting.

DSD digital filter

Use to set the digital filter when receiving DSD format signals.

```
*DSD D-FILTER
> CUTOFF 150kHz
```

CUTOFF 50kHz

50kHz cutoff frequency

CUTOFF 150kHz

150kHz cutoff frequency

Clock sync

- Clock sync is only possible when the input source is USB (rear USB port), NET or USBf (front USB port).

```
*CLOCK SYNC
> OFF
```

OFF

No clock sync is used.

ON

This unit's master clock will be synchronized to the 10MHz clock input through the clock sync input (10MHz IN) connector.

Line output

```
*LINE OUT
> RCA
```

Use to select the connectors that output analog audio.

- Output through both the RCA connectors and the XLR connectors at the same time is not possible.

RCA

Output through the RCA connectors.

XLR2

Output through the XLR connectors with 2: HOT polarity.

XLR3

Output through the XLR connectors with 3: HOT polarity.

Settings (continued)

Line output level

```
*LINE OUT LEVEL  
> FIX 0dB
```

Use to select audio level output from the analog audio output connectors (LINE OUT).

FIX 0dB

A maximum of 2 Vrms is output. Select this if you want to adjust the volume using an amplifier.

- No sound will be output if headphones are connected.

FIX +6dB

A maximum of 4 Vrms is output. Select this if you want to adjust the volume using an amplifier.

- No sound will be output if headphones are connected.
- If the sound distorts, set this to FIX 0dB.

VARIABLE

This will enable adjustment of the analog output level using the VOLUME knob. Select this if you want to adjust the volume using this unit.

- No sound will be output if headphones are connected.

OFF

No sound is ever output.

Display brightness

```
*DIMMER  
> DIMMER 3
```

DIMMER 3

Ordinary brightness

DIMMER 2

Slightly dim

DIMMER 1

Even dimmer

DIMMER 0

Display off

- The display stays unlit even when the unit is on.
- Errors will be shown at ordinary brightness regardless of this setting.

Automatic power saving function

This unit has an automatic power saving function.

- The automatic power saving function is on when the unit is shipped new from the factory.

```
*AUTO POWER SAVE  
> ON
```

OFF

The automatic power saving function is disabled.

ON

If no input signal is locked for about 20 minutes, the unit will automatically enter standby mode.

Installing the driver on a computer

This unit can be connected with computers running the following operating systems. Operation with other operating systems is not guaranteed (As of July, 2015).

When using Mac OS

The driver works with the following versions.

OS X Lion (10.7)
OS X Mountain Lion (10.8)
OS X Mavericks (10.9)
OS X Yosemite (10.10)

This unit will run with the standard OS driver, so there is no need to install a special driver.

When using Windows

The driver works with the following versions.

Windows 7 (32/64-bit)
Windows 8 (32/64-bit)
Windows 8.1 (32/64-bit)
Windows 10 (32/64-bit)

Installing the driver on the computer

In order to play audio files stored on a computer through this unit, you must install a dedicated driver on that computer beforehand. Download the dedicated driver from the TEAC Global Site:

TEAC Global Site
<http://teac-global.com/>

ATTENTION

Install the dedicated driver before connecting the unit with the computer by USB.

If you connect this unit with a computer before installing the driver, it will not work properly.

- For instructions about driver installation procedures, access the Downloads page from the TEAC Global site (<http://teac-global.com/>).
- Depending on the combination of hardware and software, proper operation might not be possible even with the above operating systems.

About the transmission mode

This unit connects using high-speed asynchronous mode.

The sampling frequencies that can be transmitted are 32, 44.1, 48, 88.2, 96, 176.4, 192, 352.8 and 384 kHz.

When properly connected, you will be able to select "TEAC USB AUDIO DEVICE" as an audio output from the computer OS.

- In asynchronous mode, the audio data sent from the computer will be processed using this unit's clock, enabling the amount of jitter that occurs during data transmission to be reduced.

Downloading playback application TEAC HR Audio Player

You can download Mac and Windows versions of our free TEAC HR Audio Player application that supports playback of DSD files from the TEAC Global Site (<http://teac-global.com/>).

TEAC HR Audio Player setting note

To play 11.2MHz DSD recordings with TEAC HR Audio Player, open the Configure window and set the "Decode mode" to "DSD Native."

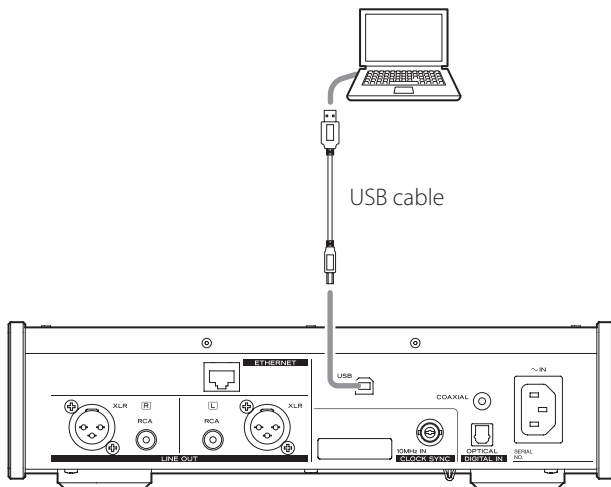
To play formats other than 11.2MHz DSD, you can set this to either "DSD over PCM" or "DSD Native" as you like.

For details, see "Selecting the DSD decoding mode" in the TEAC HR Audio Player Owner's Manual.

Playing back music on a computer (continued)

Playing back audio files from a computer

- 1** Connect the USB port on the back of this unit to the computer using a USB cable.

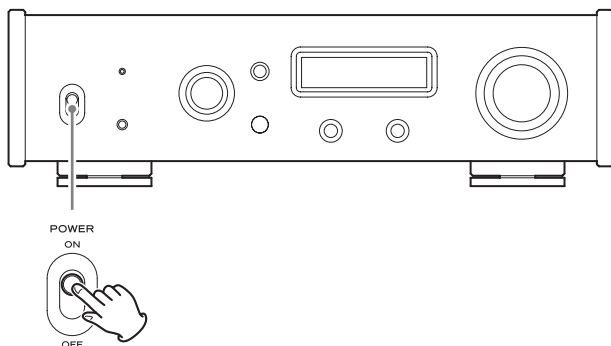


- Use a cable with a connector that matches that of this unit.

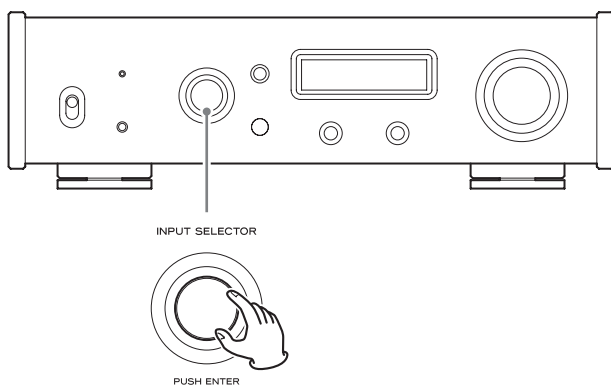
- 2** Turn the computer on.

- Confirm that the operating system has started properly.

- 3** Shift the POWER switch to its ON position to turn the unit on.



- 4** Turn the INPUT SELECTOR knob to select USB.



- 5** Start playback of an audio file on the computer.

By maximizing the output volume from the computer and adjusting the volume output from the stereo amplifier, better sound quality can be achieved.

Minimize the stereo amplifier volume before beginning playback. Then, gradually increase it.

When using headphones connected to this unit, turn the VOLUME knob counterclockwise to minimize the volume before putting them on. Then, gradually increase it.

- The computer and this unit cannot control each other.
- Do not do any of the following when playing back an audio file via USB. Doing so could cause the computer to malfunction. Always quit the audio playback software before doing any of the following.
 - Unplugging the USB cable
 - Turning this unit off
 - Changing the current input selection
- When playing back an audio file via USB, computer operation sounds will also be output. If you do not want these sounds to be output, make appropriate settings on the computer to turn them off.
- If you connect this unit with the computer or change its input to USB after starting the audio playback software, audio files might not play back correctly. If this should occur, restart the audio playback software or restart the computer.

If you experience a problem with the unit, please take a moment to review the following information before requesting service. If it still does not operate correctly, contact the retailer where you purchased the unit.

General

The unit does not turn on.

- ➔ Check that the power cord is completely plugged into the power outlet. If the outlet is switched, confirm that the switch is in the ON position.
- ➔ Connect a different electrical device to the outlet to confirm that it is supplying power.
- ➔ If the automatic power saving function has caused the unit to enter standby, press the remote control STANDBY/ON button to turn the unit on again.

No sound is output.

- ➔ If a stereo amplifier is connected to this unit, adjust its volume.
- ➔ If you are using headphones connected to this unit, use the VOLUME knob to adjust the volume.
- ➔ Use the INPUT SELECTOR knob to select the input that is connected to the source that you want to hear.
- ➔ Reconfirm the connections with other equipment.

There is a humming noise.

- ➔ If a connecting cable is near a power cord, fluorescent light or similar cause of interference, increase the distance between them as much as possible.

There is no sound from one side of the headphones.

- ➔ Confirm that the headphones plug is inserted completely.

Clock sync

The CLOCK indicator does not stop blinking.

- ➔ Set clock synchronization to OFF when not using it.
- ➔ Synchronization with the clock signal being input might not be possible. Check the connections of the clock sync connectors and the settings of the connected device.

Connections with a computer

Computer does not recognize this unit.

- ➔ This unit can be connected with computers running the following operating systems. Operation with other operating systems is not guaranteed (As of July, 2015).

Mac OS

OS X Lion (10.7)
OS X Mountain Lion (10.8)
OS X Mavericks (10.9)
OS X Yosemite (10.10)

- This unit can be used with the standard OS driver.

Windows

Windows 7 (32/64-bit)
Windows 8 (32/64-bit)
Windows 8.1 (32/64-bit)
Windows 10 (32/64-bit)

- Requires installation of a dedicated driver (page 23).

Noise occurs.

- ➔ Starting other applications during playback of a music file may interrupt playback or cause noise. Do not start other applications during playback.

When the unit is connected to a computer via a USB hub, for example, noise might be heard. If this occurs, connect the unit directly to the computer.

Audio files cannot be played back.

- ➔ Connect this unit to the computer, and set this unit's input to USB before launching music playback software. If you connect this unit to the computer or set its input to USB after launching audio playback software, music files might not play back properly.

Troubleshooting (continued)

Bluetooth function

Cannot show device name.

- ➔ This unit does not support the display of symbols or double-byte characters, including Japanese and Chinese. Use only English letters and numbers for the names of Bluetooth devices connected to this unit.

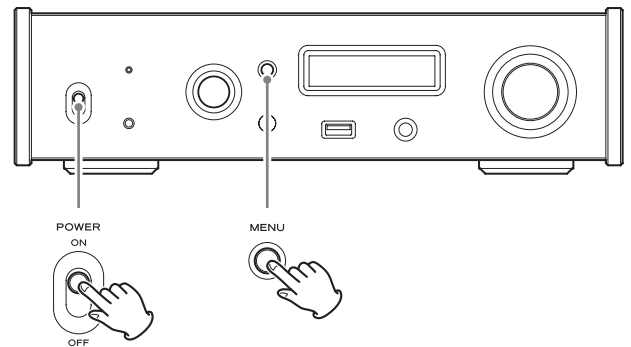
Cannot change connected Bluetooth device.

- ➔ This unit cannot have Bluetooth connections to multiple Bluetooth devices at the same time. To change the device connected with this unit by Bluetooth, end the connection with the currently connected Bluetooth device before connecting to another Bluetooth device.

Since this unit uses a microcontroller, external noise and other interference can cause the unit to malfunction. If this occurs, unplug the power cord, wait for a while, and then turn the unit on again and restart operations.

Restoring default settings

While pressing and holding the MENU button, set the POWER switch to ON.



- Release the MENU button when the "SETUP CLEAR" message appears. The factory default settings are the setting values shown in the screen images used in the explanations in this manual.

Analog audio outputs

Connectors	XLR connectors × 1 pair RCA connectors × 1 pair
Output impedance	XLR: 188 Ω RCA: 150 Ω
Maximum output level (1 kHz/full-scale, into 10 kΩ)	
FIX 0dB	XLR/RCA: 2.0 Vrms
FIX +6dB	XLR/RCA: 4.0 Vrms
VARIABLE	XLR: 12 Vrms RCA: 6 Vrms
Frequency response	5 Hz – 80 kHz (+1 dB/–3 dB)
S/N ratio	110 dB (A-Weight, 1 kHz)
Distortion	0.0015% (1 kHz, LPF: 20 Hz – 20 kHz)

Headphones output

Connector	Standard 6.3mm (1/4") stereo jack × 1
Effective maximum output	500 mW + 500 mW (into 32 Ω)
Compatible impedance range	16–600 Ω

Digital audio inputs*

COAXIAL digital	RCA connector × 1 3.5mm mini jack** × 1 (3.5mm mini plug connection also possible using RCA-mini plug adapter cable) (0.5 Vp-p, 75 Ω)
OPTICAL digital	Rectangular connector × 1 3.5mm mini jack** × 1 (–24.0 to –14.5 dBm peak)
USB flash drive	USB Type A port (front) × 1 (USB 2.0 compliant)
USB	USB Type B port (rear) × 1 (USB 2.0 compliant)
LAN	100BASE-T
PCM data sampling frequency	
COAXIAL digital	32 kHz, 44.1 kHz, 48 kHz, 88.2 kHz, 96 kHz, 176.4 kHz, 192 kHz
OPTICAL digital	32 kHz, 44.1 kHz, 48 kHz, 88.2 kHz, 96 kHz, 176.4 kHz, 192 kHz
USB	44.1 kHz, 48 kHz, 88.2 kHz, 96 kHz, 176.4 kHz, 192 kHz, 352.8 kHz, 384 kHz
Quantization bit depth	
COAXIAL digital/OPTICAL digital	16/24-bit
USB	16/24/32-bit
DSD data sampling frequency	
COAXIAL digital/OPTICAL digital	2.8 MHz (supported using 176.4kHz/24-bit DoP transmission)
USB	2.8 MHz, 5.6 MHz, 11.2 MHz

*See the Network Manual for details about USB flash drives and networks.

**This input connector can be used for both optical and coaxial connections.

Clock sync input

Connector	BNC
Input sampling frequency	10 MHz
Input impedance	50 Ω
Input level	Rectangle wave: equivalent to TTL levels Sine wave: 0.5 to 1.0 Vrms

Bluetooth function

Bluetooth version	3.0
Output class	Class 2 (approximate transmission distance*: 10 m)
Supported profiles	A2DP, AVRCP
Supported A2DP codecs	SBC, AAC, aptX
Supported A2DP content protection	SCMS-T
Maximum number of stored pairings	8

*The transmission distance is approximate. The transmission distance could vary depending on the surrounding environment and electromagnetic waves.

General

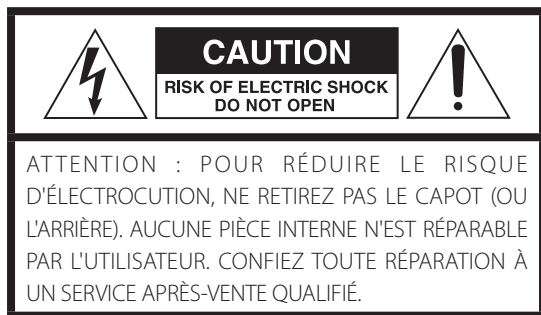
Power supply	
Model for Europe	AC 220–240 V, 50/60 Hz
Model for U.S.A./Canada	AC 120 V, 60 Hz
Power consumption	18 W
Standby power	0.4 W (in standby mode) 3 W (in network standby mode)
External dimensions	290 mm × 81.2 mm × 248.7 mm (11 1/2" × 3 1/4" × 9 7/8") (W × H × D including protrusions)
Weight	3.9 kg (8 5/8 lb)
Operating temperature range	+5°C to +35°C
Operating humidity range	5 to 85% (no condensation)
Storage temperature range	–20°C to +55°C

Included accessories

Power cord	× 1
RCA conversion (RCA to mini plug) cable	× 1
Remote control (RC-1320)	× 1
Batteries for remote control (AAA)	× 2
Owner's manual (this document)	× 1
Warranty card	× 1 (for users in the USA and Canada only)

- Design and specifications are subject to change without notice.
- Weight and dimensions are approximate.
- Illustrations in this manual might differ slightly from production models.

INSTRUCTIONS DE SÉCURITÉ IMPORTANTES



Le symbole d'éclair à tête de flèche dans un triangle équilatéral sert à prévenir l'utilisateur de la présence dans l'enceinte du produit d'une « tension dangereuse » non isolée d'une grandeur suffisante pour constituer un risque d'électrocution pour les personnes.



Le point d'exclamation dans un triangle équilatéral sert à prévenir l'utilisateur de la présence d'instructions importantes de fonctionnement et de maintenance (entretien) dans les documents accompagnant l'appareil.

AVERTISSEMENT : POUR PRÉVENIR LES RISQUES D'INCENDIE ET D'ÉLECTROCUTION, N'EXPOSEZ PAS CET APPAREIL À LA PLUIE NI À L'HUMIDITÉ.

ATTENTION

- NE RETIREZ PAS LES CAPOTS EXTERNES OU BOÎTIERS POUR EXPOSER L'ÉLECTRONIQUE. AUCUNE PIÈCE INTERNE N'EST RÉPARABLE PAR L'UTILISATEUR.
- SI VOUS RENCONTREZ DES PROBLÈMES AVEC CE PRODUIT, CONTACTEZ LE MAGASIN OÙ VOUS AVEZ ACHETÉ L'UNITÉ. N'UTILISEZ PAS LE PRODUIT TANT QU'IL N'A PAS ÉTÉ RÉPARÉ.
- L'UTILISATION DE COMMANDES, DE RÉGLAGES OU LE SUIVI DE PROCÉDURES AUTRES QUE CE QUI EST DÉCRIT DANS CE DOCUMENT PEUT PROVOQUER UNE EXPOSITION À UN RAYONNEMENT DANGEREUX.

- 1) Lisez ces instructions.
 - 2) Conservez ces instructions.
 - 3) Tenez compte de tous les avertissements.
 - 4) Suivez toutes les instructions.
 - 5) N'utilisez pas cet appareil avec de l'eau à proximité.
 - 6) Ne nettoyez l'appareil qu'avec un chiffon sec.
 - 7) Ne bloquez aucune ouverture de ventilation. Installez-le conformément aux instructions du fabricant.
 - 8) N'installez pas l'appareil près de sources de chaleur telles que des radiateurs, bouches de chauffage, poêles ou autres appareils (y compris des amplificateurs) dégagant de la chaleur.
 - 9) Ne neutralisez pas la fonction de sécurité de la fiche polarisée ou de terre. Une fiche polarisée a deux broches, l'une plus large que l'autre. Une fiche de terre a deux broches identiques et une troisième broche pour la mise à la terre. La broche plus large ou la troisième broche servent à votre sécurité. Si la fiche fournie n'entre pas dans votre prise, consultez un électricien pour le remplacement de la prise obsolète.
 - 10) Évitez de marcher sur le cordon d'alimentation et de le pincer, en particulier au niveau des fiches, des prises secteur, et du point de sortie de l'appareil.
 - 11) N'utilisez que des fixations/accessoires spécifiés par le fabricant.
 - 12) Utilisez-le uniquement avec des chariots, socles, trépieds, supports ou tables spécifiés par le fabricant ou vendus avec l'appareil. Si un chariot est utilisé, faites attention à ne pas être blessé par un renversement lors du déplacement de l'ensemble chariot/appareil.
 - 13) Débranchez cet appareil en cas d'orage ou de non utilisation prolongée.
 - 14) Confiez toute réparation à des techniciens de maintenance qualifiés. Une réparation est nécessaire si l'appareil a été endommagé d'une quelconque façon, par exemple si le cordon ou la fiche d'alimentation est endommagé, si du liquide a été renversé sur l'appareil ou si des objets sont tombés dedans, si l'appareil a été exposé à la pluie ou à l'humidité, s'il ne fonctionne pas normalement, ou s'il est tombé.
- L'appareil tire un courant nominal de veille de la prise secteur quand son interrupteur POWER ou STANDBY/ON n'est pas en position ON.
 - La fiche secteur est utilisée comme dispositif de déconnexion et doit donc toujours rester disponible.
 - Des précautions doivent être prises en cas d'utilisation d'écouteurs ou d'un casque avec le produit car une pression sonore excessive (volume trop fort) dans les écouteurs ou dans le casque peut causer une perte auditive.



ATTENTION

- N'exposez pas cet appareil aux gouttes ni aux éclaboussures.
- Ne placez pas d'objet rempli de liquide sur l'appareil, comme par exemple un vase.
- N'installez pas cet appareil dans un espace confiné comme une bibliothèque ou un meuble similaire.
- L'appareil doit être placé suffisamment près de la prise de courant pour que vous puissiez à tout moment attraper facilement la fiche du cordon d'alimentation.
- Si le produit utilise des piles/batteries (y compris un pack de batteries ou des piles installées), elles ne doivent pas être exposées au soleil, au feu ou à une chaleur excessive.
- **PRÉCAUTION** pour les produits qui utilisent des batteries remplaçables au lithium : remplacer une batterie par un modèle incorrect entraîne un risque d'explosion. Remplacez-les uniquement par un type identique ou équivalent.

AVERTISSEMENT

Les produits ayant une construction de Classe **I** sont équipés d'un cordon d'alimentation avec une fiche de terre. Le cordon d'un tel produit doit être branché dans une prise secteur avec terre de sécurité.

AUX USA/CANADA, UTILISEZ UNIQUEMENT UNE TENSION D'ALIMENTATION DE 120 V.



Précautions concernant les piles

Un mauvais emploi des piles peut entraîner leur rupture ou leur fuite, avec pour conséquence un incendie, des blessures ou la salissure des objets proches. Veuillez lire et suivre attentivement les précautions suivantes.

- Veuillez à insérer les piles avec leurs pôles positif (+) et négatif (-) correctement orientés.
- Utilisez des piles du même type. N'utilisez jamais des types de pile différents ensemble.
- Si la télécommande doit rester inutilisée durant une période prolongée (plus d'un mois), retirez ses piles pour éviter qu'elles ne coulent.
- Si les piles coulent, essuyez le liquide dans le compartiment des piles et remplacez les piles par des neuves.
- N'utilisez pas de piles d'un type autre que celui spécifié. Ne mélangez pas des piles neuves avec des anciennes et n'utilisez pas ensemble des types de pile différents.
- Ne chauffez pas et ne démontez pas les piles. Ne jetez jamais les piles dans un feu ou dans de l'eau.
- Ne conservez et ne transportez pas les piles avec d'autres objets métalliques. Les piles pourraient entrer en court-circuit, couler ou exploser.
- Ne rechargez jamais une batterie sans avoir vérifié qu'elle peut l'être.

Pour les consommateurs européens

Mise au rebut des équipements électriques et électroniques et des piles et/ou accumulateurs

- Tout équipement électrique/électronique et pile/accumulateur hors d'usage doit être traité séparément de la collecte municipale d'ordures ménagères dans des points de collecte désignés par le gouvernement ou les autorités locales.
- En vous débarrassant correctement des équipements électriques/électroniques et piles/accumulateurs hors d'usage, vous contribuerez à la sauvegarde de précieuses ressources et à la prévention de potentiels effets négatifs sur la santé humaine et l'environnement.
- Le traitement incorrect des équipements électriques/électroniques et piles/accumulateurs hors d'usage peut avoir des effets graves sur l'environnement et la santé humaine en raison de la présence de substances dangereuses dans les équipements.
- Le symbole de déchets d'équipements électriques et électroniques (DEEE), qui représente une poubelle à roulettes barrée d'une croix, indique que les équipements électriques/électroniques et piles/accumulateurs doivent être collectés et traités séparément des déchets ménagers.

Si une pile ou un accumulateur contient plus que les valeurs de plomb (Pb), mercure (Hg) et/ou cadmium (Cd) spécifiées dans la directive sur les piles et accumulateurs (2006/66/CE), alors les symboles chimiques de ces éléments seront indiqués sous le symbole DEEE.

- Des systèmes de retour et de collecte sont disponibles pour l'utilisateur final. Pour des informations plus détaillées sur la mise au rebut des vieux équipements électriques/électroniques et piles/accumulateurs hors d'usage, veuillez contacter votre mairie, le service d'ordures ménagères ou le magasin dans lequel vous avez acquis l'équipement.

DÉCLARATION DE CONFORMITÉ

Nous, TEAC AUDIO EUROPE, Liegnitzer Straße 6, 82194 Gröbenzell, Allemagne, déclarons sous notre propre responsabilité que le produit TEAC décrit dans ce mode d'emploi est conforme aux normes techniques lui correspondant.



Précautions pour les équipements sans fil

Conformité de l'émetteur radio et brouillage

Modèle pour le Canada

Conformité de l'émetteur radio

Ce dispositif est conforme à la norme CNR-210 d'Industrie Canada applicable aux appareils radio exempts de licence. Son fonctionnement est sujet aux deux conditions suivantes :

- 1) Le dispositif ne doit pas produire de brouillage préjudiciable, et
- 2) Ce dispositif doit accepter tout brouillage reçu, y compris un brouillage susceptible de provoquer un fonctionnement indésirable.

Étiquetage d'autorisation

IC: 1559C-NT503

Conformité de brouillage

CET APPAREIL NUMÉRIQUE DE LA CLASSE B EST CONFORME À LA NORME NMB-003 DU CANADA

Modèle pour l'EEE

(Espace Économique Européen)

Cet équipement est conforme aux normes harmonisées de la Directive 1999/5/CE (R&TTE).

Étiquetage de conformité

Marquage CE :



ATTENTION

L'autorisation des dispositifs sans fil varie avec les pays ou régions. Veuillez n'utiliser cet appareil que dans le pays où il a été acheté.

- Selon le pays, des restrictions d'usage de la technologie sans fil Bluetooth peuvent exister.

Vérifiez avant utilisation les lois et réglementations en vigueur dans le pays ou la région dans lequel vous voulez employer l'unité.

Exigences pour l'exposition aux rayonnements

Cet équipement est conforme à la réglementation reconnue internationalement en matière d'exposition humaine aux ondes radio générées par l'émetteur.

Déclaration de conformité

Modèle pour le Canada

Cet équipement est conforme avec les limites d'exposition aux radiofréquences établies pour un environnement non contrôlé par le CNR-102 de l'IC.

Modèle pour l'EEE

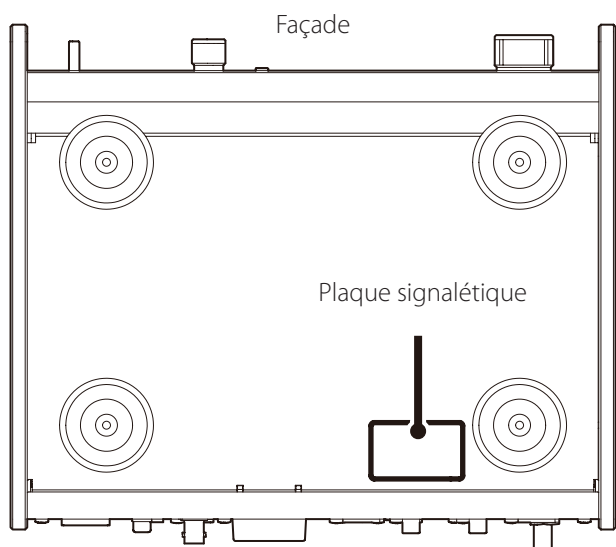
(Espace Économique Européen)

Cet équipement est conforme à la norme EN.62311 : Évaluation des équipements électroniques et électriques en relation avec les restrictions d'exposition humaine aux champs électromagnétiques ; la norme harmonisée de la Directive 1999/5/CE.

ATTENTION

Les changements ou modifications non expressément approuvés par la partie responsable de la conformité peuvent invalider le droit de l'utilisateur à faire fonctionner l'équipement.

La plaque signalétique se trouve sous l'unité comme représenté ci-dessous.



Voir page 2 pour des informations sur les marques commerciales et autres mentions légales (en anglais uniquement).

Des informations sur les droits d'auteur et les licences en rapport avec les logiciels libres (« Open source ») sont fournies dans le document « Important Notice Regarding Software » (en anglais uniquement).

Sommaire

Nous vous remercions d'avoir choisi TEAC.

Lisez ce mode d'emploi avec attention pour tirer les meilleures performances de cette unité. Après l'avoir lu, gardez-le en lieu sûr pour vous y référer ultérieurement.

ATTENTION

- Pour des informations sur les fonctions réseau de cette unité, voir le manuel d'utilisation en réseau.
- Le mode d'emploi et le manuel d'utilisation en réseau peuvent être téléchargés depuis le site mondial TEAC (<http://www.teac-global.com/>).
- Pour lire des fichiers sur des clés USB et utiliser l'unité connectée à un réseau, installez l'app dédiée (gratuite) sur un smartphone ou une tablette et connectez celui-ci au même réseau que l'unité.

INSTRUCTIONS DE SÉCURITÉ IMPORTANTES.....	28
Précautions pour les équipements sans fil.....	30
Éléments fournis.....	32
Avant l'utilisation.....	32
Entretien.....	33
Utilisation du site mondial TEAC.....	33
Téléchargement de l'app de télécommande.....	33
Branchements.....	34
Branchements (face avant).....	36
Branchement d'un casque.....	37
Conversion ascendante.....	37
Nomenclature et fonctions des parties (unité principale).....	38
Emploi de la télécommande.....	39
Nomenclature et fonctions des parties (télécommande).....	40
Fonctionnement de base.....	41
Affichage.....	42
Technologie sans fil Bluetooth®.....	44
Réglages.....	46
Lecture de musique sur un ordinateur.....	49
Guide de dépannage.....	51
Caractéristiques techniques.....	53

Éléments fournis

Vérifiez que l'emballage contient bien tous les éléments représentés ci-dessous.

Veuillez contacter le magasin dans lequel vous avez acheté cette unité si l'un de ces éléments manque ou a été endommagé durant le transport.

Cordon d'alimentation × 1

Câble de conversion (RCA vers mini-jack) × 1

Télécommande (RC-1320) × 1

Piles pour télécommande (AAA) × 2

Mode d'emploi (ce document) × 1

- Conservez ce mode d'emploi dans un endroit sûr pour vous y référer ultérieurement.

Carte de garantie × 1 (pour les utilisateurs aux USA et au Canada uniquement)

- Les utilisateurs en Europe et dans les autres pays ou régions trouveront des informations concernant la garantie au dos de ce document.

Avant l'utilisation

⚠ Précautions d'emploi

- N'installez pas cette unité dans un lieu qui pourrait chauffer. Cela comprend les endroits exposés directement au soleil ou près d'un radiateur, d'un chauffage, d'une cuisinière ou d'autres appareils chauffants. En outre, ne la placez pas au-dessus d'un amplificateur ou autre équipement dégageant de la chaleur. Cela pourrait causer une décoloration, une déformation ou un mauvais fonctionnement.
- Évitez les lieux extrêmement froids ou exposés à une humidité ou poussière excessive.
- Quand vous installez cette unité, laissez un peu d'espace (au moins 3 cm) entre elle et les murs et d'autres appareils afin de permettre une bonne dissipation thermique. Si vous la placez par exemple dans un rack, laissez au moins 5 cm de libre au-dessus de l'unité et 10 cm derrière elle. Ne pas laisser ces espaces peut faire monter la température au risque d'entraîner un incendie.
- Placez l'unité sur une surface stable près du système audio que vous allez utiliser avec elle.
- NE placez RIEN sur le dessus des unités, pas même des CD, CD-R, disques vinyle ou cassettes. Cela pourrait entraîner des dommages.
- La tension d'alimentation de l'unité doit correspondre à la tension imprimée sur son panneau arrière. Si vous avez des doutes à ce sujet, consultez un électricien.
- Ne déplacez pas l'unité durant l'utilisation.
- N'ouvrez pas le boîtier de l'unité car cela pourrait endommager le circuit ou causer un choc électrique. Si un objet étranger pénètre dans l'unité, consultez votre revendeur.
- Quand vous débranchez le cordon d'alimentation de la prise secteur, tirez toujours sur sa fiche, jamais sur le cordon.

Entretien

Essuyez les saletés du capot supérieur et des autres surfaces au moyen d'un chiffon doux légèrement humidifié avec un nettoyant neutre dilué.

N'utilisez pas de lingettes de nettoyage imbibées de produit chimique, de diluant ou d'autres agents chimiques. Cela pourrait endommager la surface.

⚠ Pour votre sécurité, débranchez le cordon d'alimentation de la prise secteur avant tout nettoyage.

Utilisation du site mondial TEAC

Vous pouvez télécharger des mises à jour pour cette unité depuis le site mondial TEAC : <http://teac-global.com/>

- 1) Allez sur le site mondial TEAC.
- 2) Dans la section TEAC Downloads (téléchargements TEAC), cliquez sur la langue souhaitée afin d'ouvrir la page de téléchargement du site web pour cette langue.

NOTE

Si la langue désirée n'apparaît pas, cliquez sur Other Languages (autres langues).

- 3) Cliquez sur la section « Search by Model Name » (recherche par nom de modèle) afin d'ouvrir la page Downloads (téléchargement) pour ce produit (les utilisateurs en Europe doivent cliquer sur le nom du produit dans la section « Products » (produits)).
- 4) Sélectionnez et téléchargez les mises à jour nécessaires.

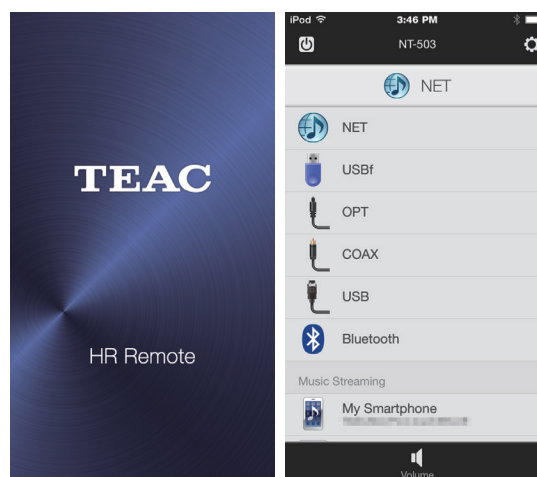
Téléchargement de l'app de télécommande

Pour lire des fichiers sur des clés USB et utiliser l'unité connectée à un réseau, installez l'app dédiée (gratuite) sur un smartphone ou une tablette et connectez celui-ci au même réseau que l'unité.

- Pour des détails, voir le manuel d'utilisation en réseau.

Si vous installez l'app sur un iPad/iPhone/iPod touch ou appareil Android, vous pouvez l'utiliser sur un réseau sans fil pour un contrôle basique de l'unité.

- Le téléchargement et l'utilisation de l'app sont gratuits.



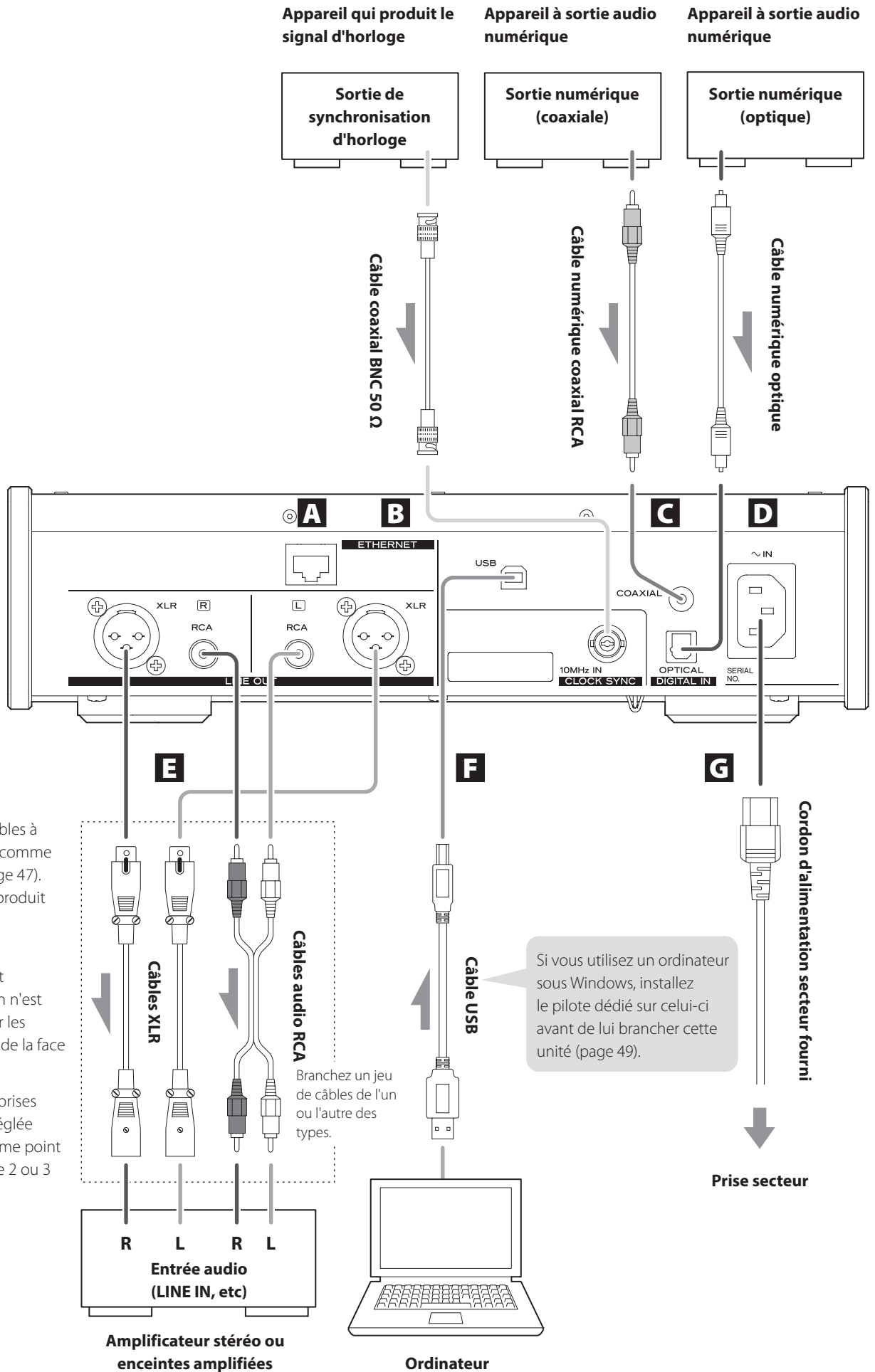
Comment télécharger l'app pour iPad/iPhone/iPod touch

Recherchez « TEAC HR Remote » sur l'App Store.

Comment télécharger l'app Android

Recherchez « TEAC AVR Remote » sur le site web Google Play.

Branchements



Branchez les câbles à la paire choisie comme sortie ligne (page 47). Le son ne sera produit que par la paire sélectionnée.

Si un casque est connecté, le son n'est plus produit par les prises de sortie de la face arrière.

La polarité des prises XLR peut être réglée pour avoir comme point chaud la broche 2 ou 3 (page 47).

Branchez un jeu de câbles de l'un ou l'autre des types.

Si vous utilisez un ordinateur sous Windows, installez le pilote dédié sur celui-ci avant de lui brancher cette unité (page 49).

A Port ETHERNET

Connectez un câble réseau local (LAN) du commerce à ce port si vous souhaitez raccorder cette unité à un réseau filaire ou à Internet.

- Lorsque vous passez en revue les sources d'entrée, ce port apparaît sous le nom « NET ».

B Prise d'entrée de synchro d'horloge (CLOCK SYNC 10MHz IN)

Faites entrer ici un signal de synchronisation (synchro d'horloge ou « Clock Sync »).

Pour recevoir le signal d'un oscillateur à 10 MHz, branchez ici la sortie de l'oscillateur (page 53).

- Pour le branchement, utilisez un câble coaxial BNC du commerce (50 Ω).
- La synchronisation d'horloge n'est possible qu'avec les sources d'entrée USB, USBf et NET.

C Prise d'entrée audio numérique coaxiale sur RCA (COAXIAL)

Sert à recevoir l'audio numérique. Raccordez-y la prise de sortie audio numérique coaxiale d'un appareil audio.

Pour le branchement, utilisez un câble numérique coaxial RCA du commerce.

D Prise d'entrée audio numérique optique (OPTICAL)

Sert à recevoir l'audio numérique. Branchez-y la prise de sortie audio numérique optique d'un appareil audio.

Pour le branchement, utilisez un câble numérique optique du commerce avec un connecteur rectangulaire.

E Prises de sortie audio analogique (LINE OUT)

Elles produisent 2 canaux d'audio analogique. Reliez ces prises XLR ou RCA à un amplificateur stéréo ou à des enceintes amplifiées.

Utilisez des câbles du commerce pour les branchements.

XLR : câbles XLR symétriques

RCA : câbles audio RCA

Reliez la prise R (droite) de cette unité à la prise R de l'amplificateur, et sa prise L (gauche) à la prise L de l'amplificateur.

F Port USB (arrière)

Sert à recevoir l'audio numérique d'un ordinateur. Reliez-le au port USB d'un ordinateur.

Pour le branchement, utilisez un câble USB 2.0 (type A-B) du commerce.

ATTENTION

Avant de brancher un ordinateur fonctionnant sous un système d'exploitation Windows, vous devez installer le pilote dédié sur l'ordinateur (page 49).

Une connexion correcte n'est pas possible avec un ordinateur sur lequel ce pilote n'a pas été installé.

G Prise d'entrée d'alimentation (~IN)

Branchez ici le cordon d'alimentation fourni.

Après avoir terminé tous les autres branchements, insérez la fiche du cordon d'alimentation dans une prise secteur.

⚠ N'utilisez que le cordon d'alimentation fourni. L'utilisation d'autres cordons d'alimentation peut entraîner un incendie ou un choc électrique. Débranchez le cordon de la prise secteur en cas de non-utilisation prolongée de l'unité.

⚠ Terminez tous les branchements avant de mettre l'unité sous tension.

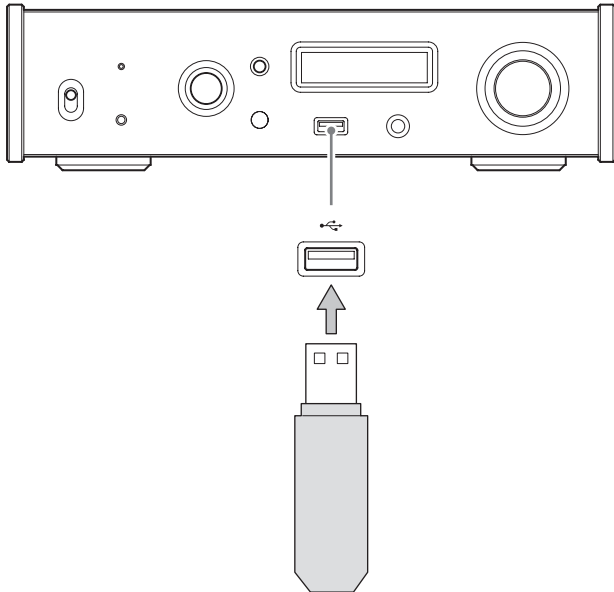
- Lisez attentivement les modes d'emploi des appareils que vous branchez et suivez leurs instructions quand vous faites les branchements.
- Ne regroupez pas les câbles de connexion avec des cordons d'alimentation. Cela pourrait entraîner des bruits.
- Branchez à fond toutes les fiches.

Branchements (face avant)

Clés USB

Branchez les clés USB au port USB de la face avant de l'unité.
 Pour lire les fichiers musicaux d'une clé USB, réglez la source d'entrée sur NET et utilisez l'app pour la lecture.

- Pour des détails, voir le manuel d'utilisation en réseau.



Entrée audio numérique (OPT/COAX IN)

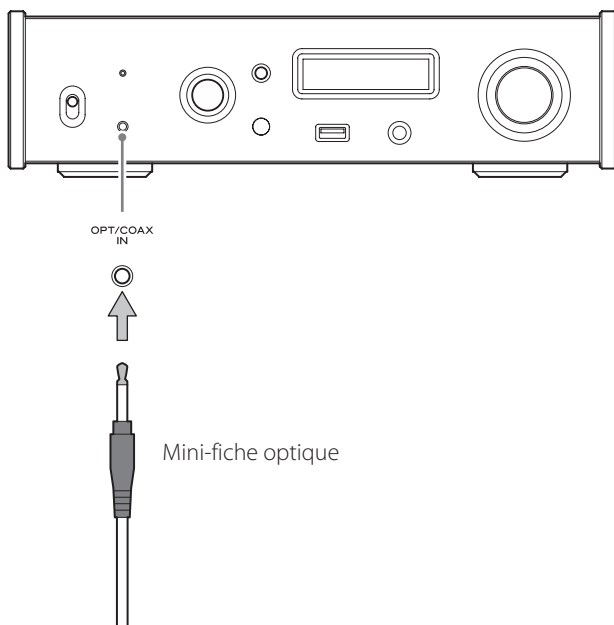
Cette prise d'entrée peut être utilisée aussi bien pour la connexion optique (OPT) que coaxiale (COAX).

Connexion optique (OPT)

Utilisez un **câble optique à mini-fiche du commerce**.

Pour activer cette entrée, tournez le bouton INPUT SELECTOR afin de sélectionner OPTf.

- Le « f » indique qu'il s'agit de la prise de la face avant.

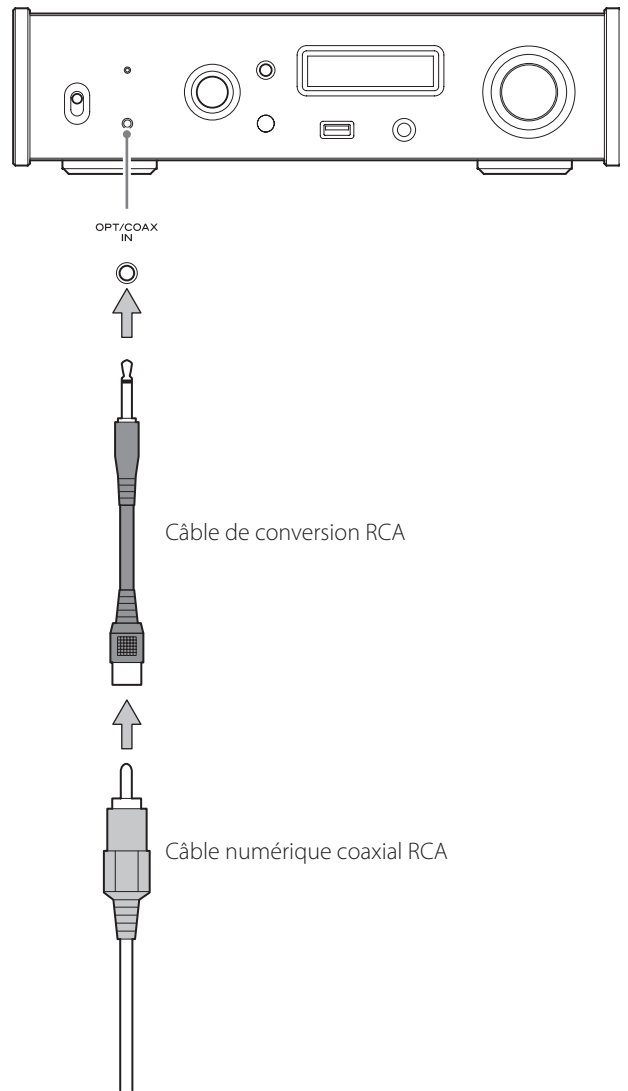


Connexion coaxiale (COAX)

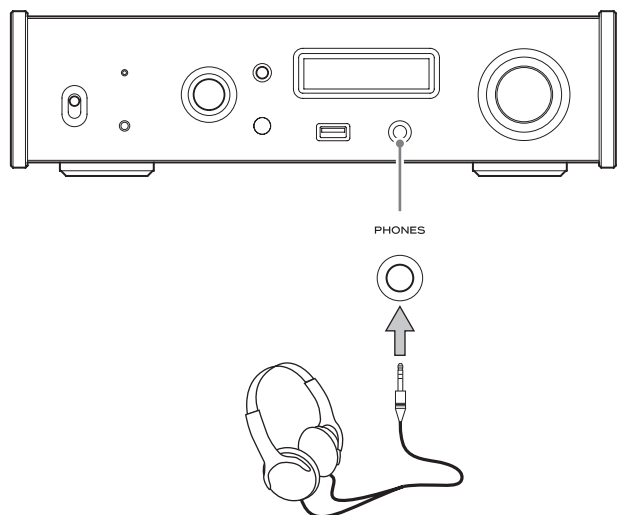
Utilisez le câble de conversion RCA fourni et **un câble numérique coaxial RCA du commerce**.

Pour activer cette entrée, tournez le bouton INPUT SELECTOR afin de sélectionner COAXf.

- Le « f » indique qu'il s'agit de la prise de la face avant.



Branchement d'un casque



⚠ ATTENTION

N'allumez/n'éteignez pas l'unité et ne branchez/débranchez pas le casque quand vous portez ce dernier.

Cela pourrait entraîner un bruit fort et soudain risquant d'endommager votre audition.

Ramenez toujours le volume au minimum ($-\infty$ dB) avant de mettre le casque (page 41).

Conversion ascendante

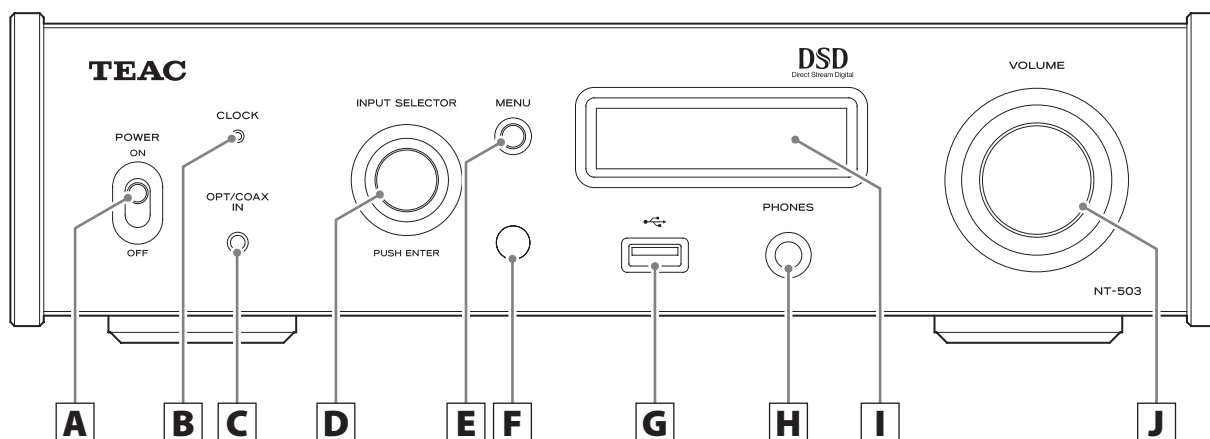
Vous pouvez utiliser la fonction de conversion ascendante avec l'entrée numérique, y compris par le connecteur OPT/COAX IN et les ports USB (avant et arrière) (page 47).

Les relations entre les fréquences d'échantillonnage en entrée et celles après conversion ascendante sont les suivantes.

Source d'entrée		Réglage de conversion ascendante				
Entrée audio numérique	USB	OFF	2Fs	4Fs	8Fs	DSD
Fréquence d'échantillonnage d'entrée		Fréquence d'échantillonnage après conversion ascendante				
[kHz]		[kHz]			[MHz]	
32	–	32	64	128	256	8,0
44,1	44,1	44,1	88,2	176,4	352,8	11,2
88,2	88,2	88,2	88,2	176,4	352,8	11,2
176,4	176,4	176,4	176,4	176,4	352,8	11,2
–	352,8	352,8	352,8	352,8	352,8	11,2
48	48	48	96	192	384	12,2
96	96	96	96	192	384	12,2
192	192	192	192	192	384	12,2
–	384	384	384	384	384	12,2

Les valeurs signalées par une case restent inchangées.

Nomenclature et fonctions des parties (unité principale)



A Interrupteur d'alimentation POWER

Sert à mettre l'unité sous et hors tension.

- Si l'écran reste sombre même après mise sous tension avec l'interrupteur d'alimentation POWER, une des raisons suivantes en est généralement la cause.
- L'unité est sous tension, mais la luminosité de l'écran (DIMMER) est réglée sur OFF (page 48).
- La fonction d'économie automatique d'énergie a fait passer l'unité en veille.
- Le cordon d'alimentation est débranché.

Pour allumer l'unité, appuyez sur la touche STANDBY/ON de la télécommande, ou faites passer l'interrupteur d'alimentation POWER sur OFF avant de le ramener sur ON.

B Voyant CLOCK

Indique le statut de synchronisation d'horloge.

Allumé : l'unité est synchronisée avec le signal d'horloge reçu par la prise d'entrée CLOCK SYNC (10MHz IN).

Clignotant : aucune horloge n'est reçue ou l'unité n'est pas en cours de synchronisation.

Éteint : il n'y a aucune synchronisation d'horloge.

- Voir page 47 les réglages de synchronisation d'horloge.

C Entrée audio numérique (OPT/COAX IN)

Sert à recevoir l'audio numérique (page 36).

Connexion optique : utilisez un câble optique à mini-fiche.

Connexion coaxiale : utilisez le câble de conversion RCA fourni.

D Bouton INPUT SELECTOR

Sert à sélectionner la source d'entrée.

Sert à changer les valeurs de réglage quand un paramètre de menu est affiché.

Appuyez dessus pour l'utiliser comme touche de validation (ENTER).

Tournez-le lorsque le menu est ouvert pour changer de paramètre affiché ou pour modifier la valeur de réglage.

E Touche MENU

Appuyez sur cette touche pour passer en mode de réglage (page 46).

Appuyez en mode de réglage pour revenir à l'écran précédent.

F Capteur de signal de télécommande

Reçoit les signaux de la télécommande. Pour utiliser la télécommande, pointez-la vers le capteur de signal de télécommande.

G Port USB (avant)

Branchez ici les clés USB.

- Pour lire les fichiers musicaux d'une clé USB, réglez la source d'entrée sur NET et utilisez l'app pour la lecture.
- Ne branchez pas d'ordinateur au port USB situé à l'avant de l'unité. Pour recevoir l'audio d'un ordinateur, branchez ce dernier au port USB de la face arrière de l'unité.
- Pour des détails, voir le manuel d'utilisation en réseau.

H Prise casque (PHONES)

Branchez ici un casque à fiche jack 6,35 mm stéréo standard (page 37).

- Si un casque est branché à cette unité, l'audio ne sort plus par les prises de sortie audio analogique de la face arrière.

I Écran

Cet écran affiche des informations sur l'audio lu et les pages du menu.

J Bouton de VOLUME

Sert à régler le volume de sortie par le casque. Tournez-le vers la droite pour monter le volume et vers la gauche pour le baisser.

- Pour permettre le réglage du volume de sortie audio analogique de cette unité, réglez LINE OUT LEVEL (niveau de sortie ligne) sur VARIABLE (« Niveau de sortie ligne » en page 48). Cela permettra d'utiliser le bouton VOLUME de cette unité pour régler le niveau de sortie analogique.
- Les réglages de volume sont conservés séparément pour la sortie audio analogique et la sortie casque.

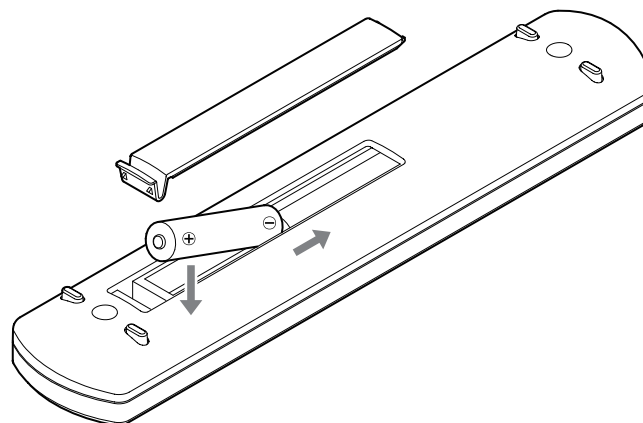
Précautions d'emploi

⚠ Un mauvais emploi des piles peut entraîner leur rupture ou leur fuite, avec pour conséquence un incendie, des blessures ou la salissure des objets proches. Veuillez attentivement lire et respecter les précautions en page 29.

- Pour utiliser la télécommande, pointez-la vers le capteur de télécommande de l'unité principale dans un rayon maximal de 5 m. Ne placez pas d'obstacles entre l'unité principale et la télécommande.
- La télécommande peut ne pas fonctionner si le capteur de signal de télécommande de l'unité est exposé à la lumière du soleil ou à une forte source lumineuse. Si cela se produit, essayez de déplacer l'unité.
- Sachez que l'emploi de cette télécommande peut entraîner le déclenchement involontaire d'opérations sur d'autres appareils contrôlables par rayons infrarouges.

Installation des piles

Ouvrez l'arrière de la télécommande et insérez deux piles AAA avec leurs pôles ⊕/⊖ orientés comme illustré. Remplacez le couvercle.

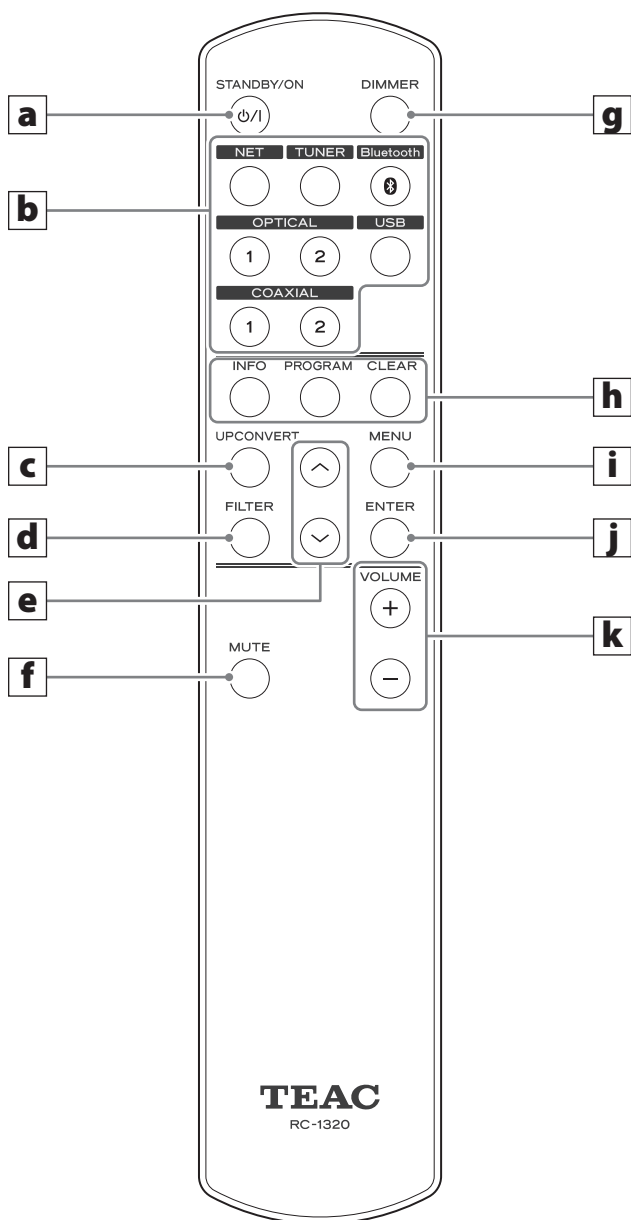


Quand faut-il remplacer les piles ?

Si la portée d'action de la télécommande diminue ou si l'unité principale cesse de répondre aux touches de la télécommande, remplacez les deux piles par des neuves.

Jetez les piles usagées conformément à leurs instructions ou aux directives établies par votre municipalité.

Nomenclature et fonctions des parties (télécommande)



a Touche STANDBY/ON

Appuyez sur cette touche pour mettre l'unité en veille ou pour l'allumer.

b Touches INPUT

Servent à sélectionner la source de lecture.

- La touche USB sélectionne le port USB arrière.
- La touche TUNER ne sert pas avec cette unité.

c Touche UP CONVERT

Sert à changer le réglage de conversion ascendante.

d Touche FILTER

Sert à changer le réglage du filtre.
Cela modifie le filtre en fonction de l'entrée (PCM ou DSD).

e Touches Haut/Bas (^/∨)

Servent à sélectionner les paramètres de réglage.

f Touche MUTE

Appuyez sur cette touche pour couper temporairement le son.

g Touche DIMMER

Sert à régler la luminosité de l'écran de l'unité principale.

h Touches INFO, PROGRAM et CLEAR

Ces touches ne sont pas utilisées avec cette unité.

i Touche MENU

Appuyez sur cette touche pour passer en mode de réglage (page 46).

Appuyez en mode de réglage pour revenir à l'écran précédent.

j Touche ENTER

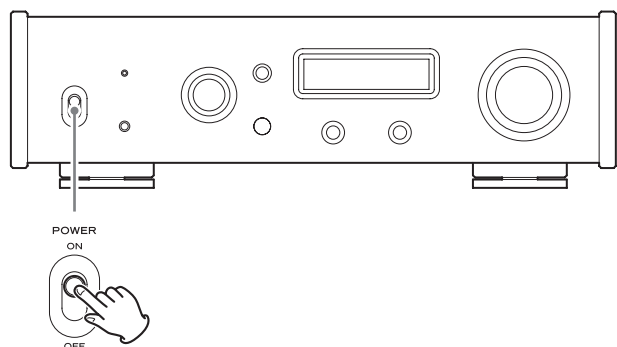
Appuyez sur cette touche pour valider la sélection du paramètre.

k Touches VOLUME (+/-)

Servent à régler le volume.

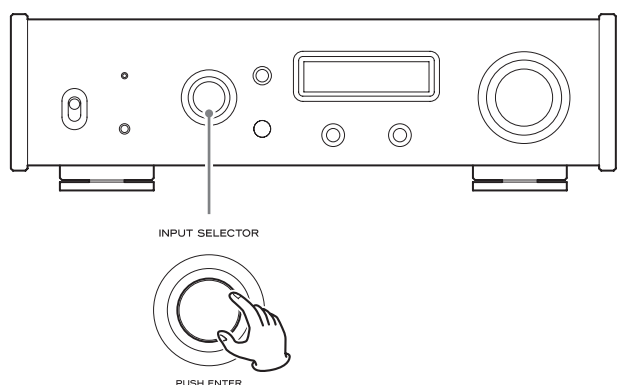
Quand l'unité principale et la télécommande ont toutes les deux des touches ayant les mêmes fonctions, ce mode d'emploi explique comment utiliser l'une ou l'autre. La touche homologue peut s'utiliser de la même façon.

1 Basculez l'interrupteur d'alimentation POWER en position ON pour allumer l'unité.



- Si un amplificateur stéréo est connecté à cette unité, allumez-le toujours en dernier.

2 Tournez le bouton INPUT SELECTOR pour choisir la source d'entrée.



La source sélectionnée s'affiche à l'écran.

- Vous pouvez aussi utiliser les touches Haut et Bas (^, v) de la télécommande.
- Si le signal entrant n'est pas un signal audio numérique ou est à un format non pris en charge par cette unité, comme du Dolby Digital ou du DTS, « NOT AUDIO! » apparaît à l'écran et aucun signal audio n'est produit. Réglez la sortie numérique de l'appareil connecté pour produire un signal audio PCM.
- Pour employer un ordinateur fonctionnant sous système d'exploitation Windows afin de lire des fichiers audio quand cette unité est réglée sur USB, vous devez installer un pilote dédié sur l'ordinateur avant de les relier (page 49).
- Les données DSD ne peuvent être lues qu'en utilisant les ports USB avant et arrière ou une entrée numérique au format DoP.
- Pour utiliser l'entrée NET ou le port USB avant, installez l'app dédiée (gratuite) sur un smartphone ou une tablette et connectez celui-ci au même réseau que l'unité.

3 Lancez la lecture sur l'appareil source.

Référez-vous au mode d'emploi de cet appareil.

4 Réglez le volume.

Quand les sorties ligne sont utilisées

Quand LINE OUT LEVEL (niveau de sortie ligne) est réglé sur VARIABLE, tournez le bouton VOLUME de cette unité pour régler le volume.

Lorsque LINE OUT LEVEL est réglé différemment, le volume ne peut pas être contrôlé depuis cette unité. Utilisez l'amplificateur stéréo ou un autre appareil connecté à cette unité pour régler le volume.

Quand un casque est connecté à cette unité

Tournez le bouton VOLUME de cette unité pour régler le volume.

- Quand le bouton VOLUME de cette unité est activé, le réglage de volume s'affiche.

Affichage

À la mise sous tension



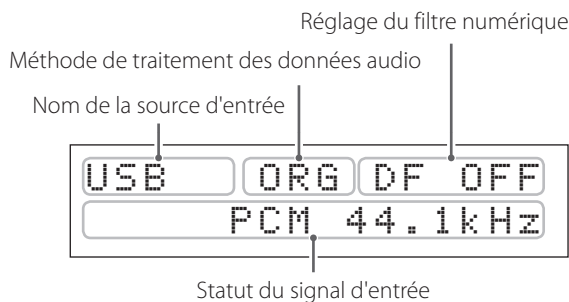
Après l'apparition des messages ci-dessus, la source d'entrée s'affiche à l'écran.

Affichage d'informations sur la source d'entrée

L'affichage d'informations sur la source d'entrée apparaîtra après la mise sous tension ainsi qu'après 10 secondes sans action alors qu'un écran de réglage est ouvert.

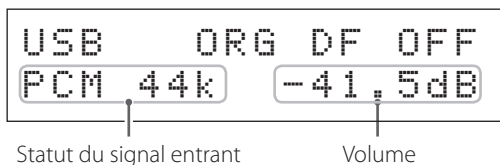
Exemple d'affichage

S'il n'y a pas de casque branché et si LINE OUT LEVEL est réglé sur FIX ou sur OFF



- Tourner le bouton VOLUME ne fera pas varier le volume.

Si un casque est branché ou si LINE OUT LEVEL est réglé sur VARIABLE



- Tourner le bouton VOLUME fera varier le volume et la valeur de celui-ci apparaîtra à droite de l'indication de statut du signal entrant.

Nom de la source d'entrée

Affiche le nom de la source sélectionnée.

Les noms affichés correspondent aux connecteurs sélectionnés comme suit :

USB

Port USB (arrière)

COAX

Prise d'entrée audio numérique coaxiale RCA (COAXIAL) de la face arrière

COAXf

Connexion coaxiale à la prise d'entrée audio numérique (OPT/COAX IN) de la face avant

OPT

Prise d'entrée audio numérique optique (OPTICAL) de la face arrière

OPTf

Connexion optique à la prise d'entrée audio numérique (OPT/COAX IN) de la face avant

NET

Port ETHERNET

USBf

Port USB (avant)

- Réglez la source d'entrée sur NET puis sélectionnez cette option avec l'app.

Bluetooth

Appareil Bluetooth

Méthodes de traitement des données audio

ORG

Le signal entrant d'origine est directement transmis au convertisseur N/A sans conversion.

2Fs

4Fs

8Fs

DSD

La conversion ascendante affichée sera utilisée (page 47).

DoP

Le signal DSD est reçu par DoP (DSD par PCM).

Réglage du filtre numérique

Indique le réglage du filtre numérique (page 47).

Statut du signal entrant

Affiche le statut du signal de la source d'entrée.

UNLOCK!

L'unité ne peut pas se synchroniser sur le signal d'entrée.

NOT AUDIO!

Le signal reçu est à un format illisible.

UNCONNECTED!

USB (port USB arrière) a été choisi comme source d'entrée, mais aucun câble USB n'est branché à l'unité.

NET a été choisi comme source d'entrée, mais aucun câble USB n'est branché à l'unité.

USBf (port USB avant) a été choisi comme source d'entrée, mais aucune clé USB n'est branchée à l'unité.

READY

La source d'entrée est réglée sur USB (port USB arrière), NET ou USBf (port USB avant) et un appareil est connecté, mais aucun signal audio n'est reçu.

PCM 32kHz

PCM 44.1kHz

PCM 48kHz

PCM 88.2kHz

PCM 96kHz

PCM 128kHz

PCM 176.4kHz

PCM 192kHz

PCM 256kHz

PCM 352.8kHz

PCM 384kHz

DSD 2.8MHz

DSD 5.6MHz

DSD 11.2MHz

Ces indications donnent le type et la fréquence d'échantillonnage du signal entrant.

SBC

AAC

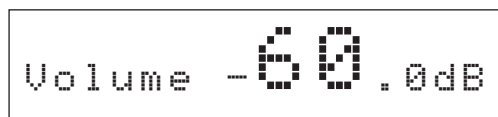
aptX

Quand la source d'entrée est Bluetooth, le type de codec est affiché.

Affichage du volume

Le réglage du volume s'affichera lorsque vous tournerez le bouton VOLUME de cette unité.

Exemple d'affichage



Technologie sans fil Bluetooth®

Notes sur le Bluetooth®

Si vous utilisez cette unité avec un téléphone mobile ou d'autres dispositifs à technologie sans fil Bluetooth, ils ne doivent pas être éloignés l'un de l'autre de plus de 10 m.

Toutefois, selon les conditions d'utilisation, la distance effective de transmission peut être réduite.

La communication sans fil ne peut pas être garantie pour tous les appareils à technologie sans fil Bluetooth.

Pour déterminer la compatibilité entre cette unité et un autre appareil à technologie sans fil Bluetooth, reportez-vous au mode d'emploi de cet appareil ou contactez le magasin dans lequel vous l'avez acheté.

Profils

Cet unité prend en charge les profils Bluetooth suivants.

- Profil de distribution audio avancée A2DP (Advanced Audio Distribution Profile)
- Profil de télécommande audio/vidéo AVRCP (Audio/Video Remote Control Profile)

Pour que de l'audio passe par transmission sans fil Bluetooth, l'appareil Bluetooth doit prendre en charge l'A2DP.

Pour contrôler la lecture sur l'appareil Bluetooth, celui-ci doit prendre en charge l'AVRCP.

Même si des appareils Bluetooth prennent en charge les mêmes profils, leurs fonctions peuvent différer en fonction de leurs spécifications.

Codecs

Cette unité prend en charge les codecs suivants. Elle sélectionne automatiquement l'un d'entre eux durant le transfert audio.

- SBC
- AAC
- aptX

L'unité sélectionnera le codec approprié à utiliser en fonction de la compatibilité de codec de l'autre appareil Bluetooth et des conditions de communication.

NOTE

Vous ne pouvez pas sélectionner le codec à utiliser, par exemple en appuyant sur un bouton.

De par les caractéristiques de la technologie sans fil Bluetooth, la lecture depuis un appareil Bluetooth sera légèrement en retard par rapport à la lecture depuis cette unité.

Protection de contenu

Cette unité prend en charge la protection de contenu SCMS-T lors de la transmission audio, afin de pouvoir reproduire de l'audio protégé.

Sécurité de transmission

Durant la transmission sans fil Bluetooth, cette unité prend en charge les fonctions de sécurité conformément aux spécifications de la norme Bluetooth, mais elle ne garantit pas la confidentialité de ces transmissions.

TEAC CORPORATION décline toute responsabilité en cas de fuite d'informations au cours de la transmission sans fil Bluetooth.

Appairage avec un autre appareil Bluetooth

Appairer cette unité avec un autre appareil Bluetooth est nécessaire la première fois que vous vous connectez à cet appareil Bluetooth.

1 Tournez le bouton INPUT SELECTOR pour choisir Bluetooth.

Bluetooth
SELECT DEVICE?

- Si aucun appareil appairé n'est disponible, « NO PAIRED DEVICE » s'affiche.

2 Activez la transmission Bluetooth sur l'autre appareil Bluetooth.

3 Maintenez enfoncé le bouton INPUT SELECTOR pour passer en mode d'appairage.

Bluetooth
PAIRING

- « PAIRING » clignote lors de l'appairage.

4 Sur l'autre appareil Bluetooth, sélectionnez « NT-503 » (cette unité).

Après passage de cette unité en mode d'appairage, appairiez-la depuis l'autre appareil Bluetooth.

Pour des détails, référez-vous au mode d'emploi de cet appareil Bluetooth.

Après connexion, l'écran affiche la source d'entrée.

- Si une demande de mot de passe apparaît sur l'écran de l'appareil Bluetooth, saisissez « 0000 » (quatre zéros).

Lecture depuis un périphérique Bluetooth

- Appairez cette unité la première fois que vous l'utilisez et lorsque vous souhaitez la connecter à un nouvel appareil Bluetooth (page 44).
- Lors de l'appairage ou de la connexion avec un autre appareil Bluetooth, ceux-ci doivent être à quelques mètres l'un de l'autre. S'ils sont trop éloignés l'un de l'autre, l'appairage et la connexion peuvent s'avérer impossibles.

1 Tournez le bouton INPUT SELECTOR pour choisir Bluetooth.

Bluetooth
SELECT DEVICE?

Cela règle la source sur Bluetooth.

- Vous pouvez aussi utiliser les touches Haut et Bas (∧, ∨) de la télécommande.
- L'unité conserve son choix de source même en veille. Donc cette étape peut être ignorée si l'unité était déjà en mode Bluetooth avant de passer en veille.

2 Activez la transmission Bluetooth sur l'autre appareil Bluetooth.

3 Appuyez sur le bouton INPUT SELECTOR pour afficher les appareils Bluetooth déjà appairés.

La ligne du bas de l'écran affiche le nom du dernier appareil connecté.

- Vous pouvez aussi utiliser la touche ENTER de la télécommande.

Exemple d'affichage

Bluetooth
> Player_1

Nom du dernier appareil connecté

- Les 14 premiers caractères du nom de l'appareil sont affichés.
- Si aucun appareil appairé n'est disponible, l'affichage est le suivant.

Bluetooth
PAIRING?

Maintenez enfoncé le bouton INPUT SELECTOR pour passer en mode d'appairage (page 44).

4 Appuyez sur la touche INPUT SELECTOR pour établir la connexion.

- S'il existe plusieurs appareils appairés, tournez le bouton INPUT SELECTOR pour afficher les autres. Lorsque le nom de l'appareil auquel vous souhaitez vous connecter est affiché, appuyez sur le bouton INPUT SELECTOR.

Après connexion, l'écran affiche la source d'entrée.

Exemple d'affichage

Nom de l'appareil

Playe ORG DF OFF
aptX -41.5dB

Codec

- Les 5 premiers caractères du nom de l'appareil sont affichés.
- Si le nom de l'appareil contient des caractères autres que des lettres anglaises ou des chiffres, il ne s'affichera pas correctement.

⚠ ATTENTION

Quel que soit l'état de la connexion de cette unité avec l'autre appareil Bluetooth, si la source d'entrée n'est pas affichée, faites redémarrer à la fois cette unité et l'autre appareil et reconnectez-les.

5 Lancez la lecture sur l'autre appareil Bluetooth.

- Vérifiez que le volume est monté sur l'autre appareil Bluetooth. Si vous ne montez pas le volume sur l'appareil de lecture, aucun son ne pourra sortir de cette unité.

6 Tournez le bouton VOLUME de cette unité pour régler le volume.

- Vous pouvez aussi utiliser les touches VOLUME de la télécommande.
- Selon l'appareil Bluetooth connecté, vous pouvez ne pas être en mesure de régler le volume. Pour des détails, référez-vous au mode d'emploi de cet appareil Bluetooth.

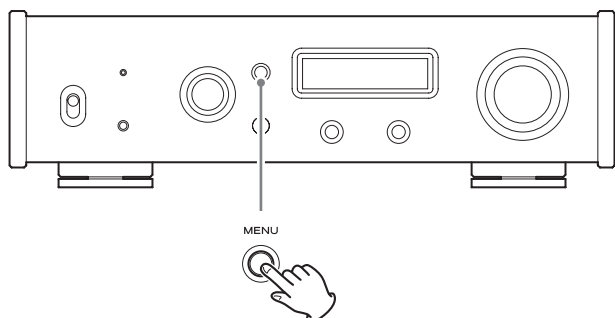
Coupeure du son

Si vous souhaitez couper temporairement le son de cette unité, appuyez sur la touche MUTE de la télécommande.

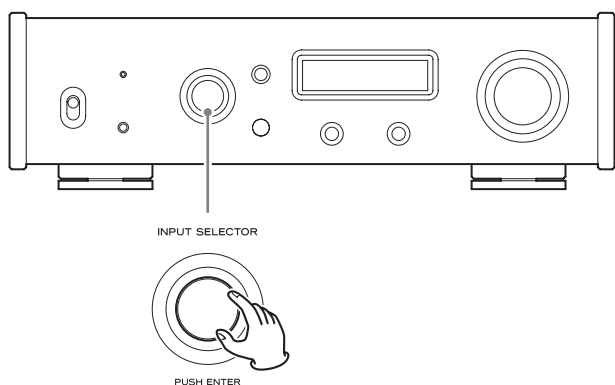
Appuyez à nouveau sur la touche MUTE de la télécommande pour revenir au niveau de volume antérieur.

Réglages

- 1** Appuyez sur la touche MENU pour afficher les paramètres de réglage.

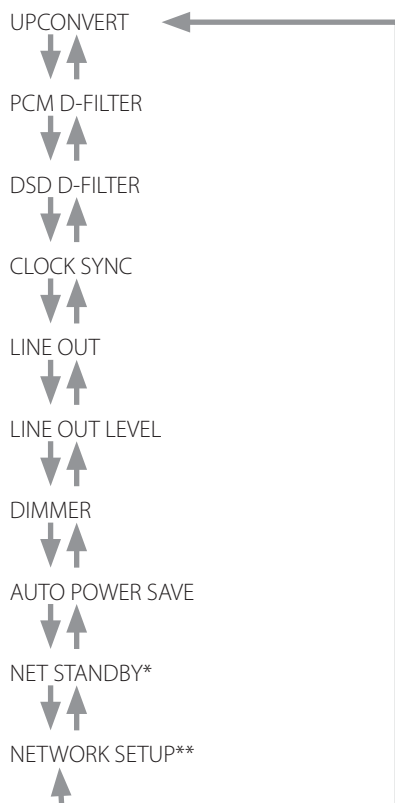


- 2** Tournez le bouton INPUT SELECTOR pour afficher le paramètre à régler.



- Vous pouvez aussi utiliser les touches Haut et Bas (∧, ∨) de la télécommande.

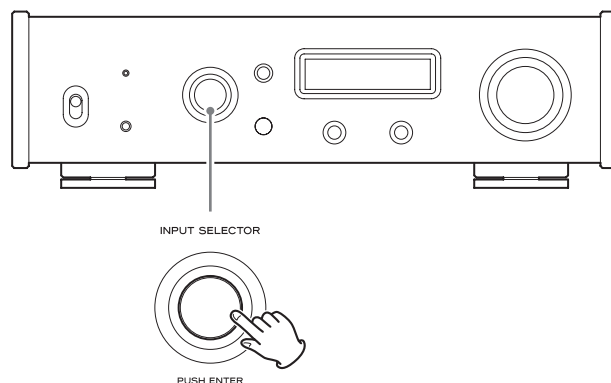
Les paramètres de menus apparaissent dans l'ordre suivant.



*Pour des détails, voir le manuel d'utilisation en réseau.

**Uniquement affiché quand la source d'entrée est réglée sur NET/USBf.

- 3** Appuyez sur le bouton INPUT SELECTOR pour valider la sélection.

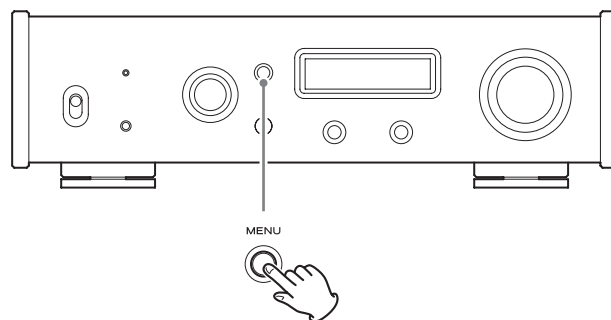


- Vous pouvez aussi appuyer sur la touche ENTER de la télécommande.
- La valeur actuellement réglée s'affiche à l'écran.

- 4** Tournez le bouton INPUT SELECTOR pour changer la valeur de réglage.

- Vous pouvez aussi utiliser les touches Haut et Bas (∧, ∨) de la télécommande.
- Appuyez sur la touche MENU pour revenir à la sélection de paramètres de réglage.

- 5** Quand vous avez fini vos réglages, appuyez sur la touche MENU pour réafficher le statut de source d'entrée.



- Si vous ne faites rien durant 10 secondes, l'écran retourne à l'affichage du statut de source d'entrée.

Conversion ascendante

Sert à activer le circuit de conversion ascendante quand des signaux au format PCM sont reçus.

- Voir page 37 pour les relations entre les fréquences d'échantillonnage en entrée et celles après conversion ascendante.

```
*UPCONVERT  
> OFF
```

OFF

Le signal entrant d'origine est directement transmis au convertisseur N/A sans conversion.

2Fs

Si la fréquence d'échantillonnage du signal audio entrant est inférieure à 2 fois une valeur standard (32, 44,1 ou 48 kHz), elle bénéficie d'une conversion ascendante 2x avant l'envoi au convertisseur N/A.

4Fs

Si la fréquence d'échantillonnage du signal audio entrant est inférieure à 4 fois une valeur standard (32, 44,1 ou 48 kHz), elle bénéficie d'une conversion ascendante 4x avant l'envoi au convertisseur N/A.

8Fs

Si la fréquence d'échantillonnage du signal audio entrant est inférieure à 8 fois une valeur standard (32, 44,1 ou 48 kHz), elle bénéficie d'une conversion ascendante 8x avant l'envoi au convertisseur N/A.

DSD

La source d'entrée est convertie au format numérique DSD avant d'être envoyée au convertisseur N/A.

Filtre numérique PCM

Sert à régler le filtre numérique quand des signaux au format PCM sont reçus.

```
*PCM D-FILTER  
> OFF
```

OFF

Le filtre numérique est désactivé.

FIR SHARP

Un filtre FIR (RIF en français) à forte pente est utilisé pour réduire brutalement les signaux extérieurs à la bande audio.

FIR SLOW

Un filtre FIR (RIF en français) à pente douce est utilisé pour réduire progressivement les signaux extérieurs à la bande audio.

SDLY SHARP

Un filtre à court retard et à forte pente est utilisé pour réduire brutalement les signaux extérieurs à la bande audio.

SDLY SLOW

Un filtre à court retard et à pente douce est utilisé pour réduire progressivement les signaux extérieurs à la bande audio.

- Quand des signaux à 352,8 kHz ou 384 kHz sont reçus, le filtre numérique est désactivé durant la lecture quel que soit ce réglage.

Filtre numérique DSD

Sert à régler le filtre numérique quand des signaux au format DSD sont reçus.

```
*DSD D-FILTER  
> CUTOFF 150kHz
```

CUTOFF 50kHz

Fréquence de coupure de 50 kHz

CUTOFF 150kHz

Fréquence de coupure de 150 kHz

Synchronisation d'horloge

- La synchronisation d'horloge n'est possible que lorsque la source d'entrée est réglée sur USB (port USB arrière), NET ou USBf (port USB avant).

```
*CLOCK SYNC  
> OFF
```

OFF

Aucune synchronisation d'horloge n'est utilisée.

ON

L'horloge maître de cette unité sera synchronisée sur l'horloge 10 MHz reçue par la prise d'entrée CLOCK SYNC (10MHz IN).

Sortie ligne

```
*LINE OUT  
> RCA
```

Sert à sélectionner les prises d'où sortira l'audio analogique.

- La sortie ne peut pas se faire en même temps par les prises RCA et les prises XLR.

RCA

Sortie par les prises RCA.

XLR2

Sortie par les prises XLR avec point chaud sur la broche 2.

XLR3

Sortie par les prises XLR avec point chaud sur la broche 3.

Réglages (suite)

Niveau de sortie ligne

```
*LINE OUT LEVEL  
> FIX 0dB
```

Sert à sélectionner le niveau aux prises de sortie audio analogique (LINE OUT).

FIX 0dB

La sortie maximale est de 2 Vrms. Choisissez ce réglage si vous souhaitez régler le volume à l'aide d'un amplificateur.

- Aucun son ne sortira si un casque est branché.

FIX +6dB

La sortie maximale est de 4 Vrms. Choisissez ce réglage si vous souhaitez régler le volume à l'aide d'un amplificateur.

- Aucun son ne sortira si un casque est branché.
- En cas de distorsion du son, choisissez le réglage FIX 0dB.

VARIABLE

Cela permettra d'utiliser le bouton VOLUME pour régler le niveau de sortie analogique. Optez pour ce réglage si vous souhaitez utiliser cette unité pour régler le volume.

- Aucun son ne sortira si un casque est branché.

OFF

Aucun son n'est produit.

Luminosité de l'écran

```
*DIMMER  
> DIMMER 3
```

DIMMER 3

Luminosité normale

DIMMER 2

Légèrement atténuée

DIMMER 1

Plus atténuée

DIMMER 0

Pas d'affichage

- L'écran reste éteint même quand l'unité est allumée.
- Les erreurs seront affichées avec une luminosité normale quel que soit ce réglage.

Fonction d'économie automatique d'énergie

Cette unité a une fonction d'économie automatique d'énergie.

- La fonction d'économie automatique d'énergie est activée lorsque l'unité quitte l'usine.

```
*AUTO POWER SAVE  
> ON
```

OFF

La fonction d'économie automatique d'énergie est désactivée.

ON

Si aucun signal d'entrée n'est verrouillé pendant environ 30 minutes, l'unité bascule automatiquement en mode de veille.

Installation du pilote sur un ordinateur

Cette unité peut être branchée à des ordinateurs ayant les systèmes d'exploitation suivants. Le fonctionnement avec d'autres systèmes d'exploitation n'est pas garanti (en date de juillet 2015).

Avec Mac OS

Le pilote fonctionne avec les versions de système d'exploitation suivantes.

OS X Lion (10.7)

OS X Mountain Lion (10.8)

OS X Mavericks (10.9)

OS X Yosemite (10.10)

Cette unité fonctionnera avec le pilote standard du système d'exploitation (OS), donc il n'y a pas besoin d'installer un pilote spécial.

Avec Windows

Le pilote fonctionne avec les versions de système d'exploitation suivantes.

Windows 7 (32/64 bits)

Windows 8 (32/64 bits)

Windows 8.1 (32/64 bits)

Windows 10 (32/64 bits)

Installation du pilote sur l'ordinateur

Pour lire au travers de cette unité des fichiers audio stockés sur un ordinateur, vous devez au préalable installer un pilote dédié sur l'ordinateur. Téléchargez le pilote dédié depuis le site mondial TEAC :

Site mondial TEAC

<http://teac-global.com/>

ATTENTION

Installez le pilote dédié avant de relier l'unité à l'ordinateur par USB.

Si vous connectez cette unité à l'ordinateur avant d'installer le pilote, elle ne fonctionnera pas correctement.

- Pour des instructions sur les procédures d'installation des pilotes, accédez à la page Downloads (téléchargements) du site mondial TEAC (<http://teac-global.com/>).
- Selon la combinaison ordinateur et logiciel, un bon fonctionnement peut ne pas être possible même avec les systèmes d'exploitation ci-dessus.

À propos du mode de transmission

Cette unité se connecte en mode asynchrone haute vitesse.

Les fréquences d'échantillonnage qui peuvent être transmises sont 32, 44,1, 48, 88,2, 96, 176,4, 192, 352,8 et 384 kHz.

Quand la connexion est correcte, vous pouvez sélectionner « TEAC USB AUDIO DEVICE » comme sortie audio dans le système d'exploitation de l'ordinateur.

- En mode asynchrone, les données audio envoyées par l'ordinateur seront traitées à l'aide de l'horloge de cette unité, ce qui permet de réduire la gigue qui survient lors de la transmission des données.

Téléchargement de l'application de lecture TEAC HR Audio Player

Vous pouvez télécharger depuis le site mondial TEAC (<http://teac-global.com/>) des versions pour Mac et Windows de notre application gratuite TEAC HR Audio Player qui assure la lecture de fichiers DSD.

Note concernant le réglage de TEAC HR Audio Player

Pour lire des enregistrements DSD à 11,2 MHz avec TEAC HR Audio Player, ouvrez la fenêtre « Configurer » (configurer) et réglez « Decode mode » (mode de décodage) sur « DSD Native ».

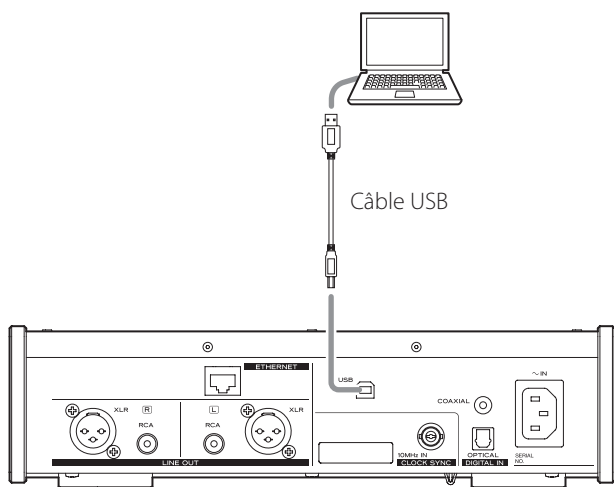
Pour lire des formats autres que le DSD à 11,2 MHz, vous pouvez régler ce paramètre comme vous le souhaitez sur « DSD over PCM » ou « DSD Native ».

Pour plus de détails, reportez-vous à la section « Selecting the DSD decoding mode » (sélection du mode de décodage DSD) dans le mode d'emploi du TEAC HR Audio Player.

Lecture de musique sur un ordinateur (suite)

Lecture de fichiers audio depuis un ordinateur

- 1 Reliez le port USB de la face arrière de cette unité à l'ordinateur au moyen d'un câble USB.**

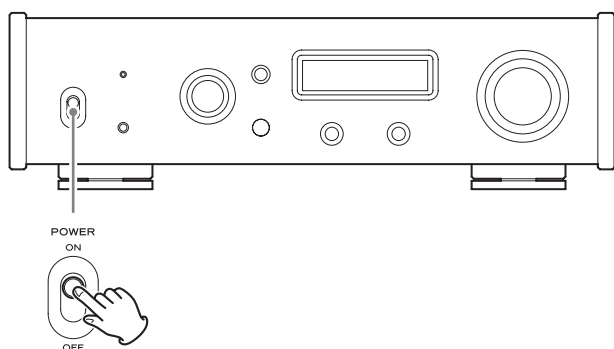


- Utilisez un câble ayant une fiche qui correspond à la prise de cette unité.

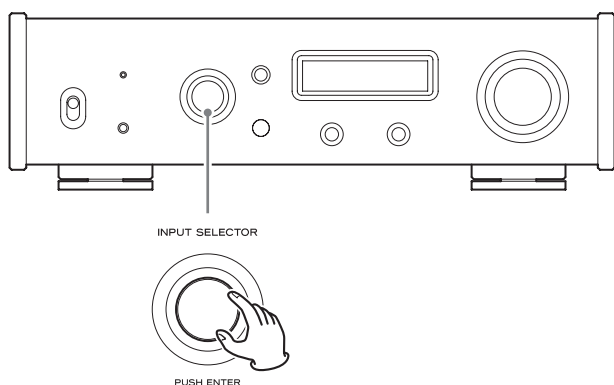
- 2 Mettez l'ordinateur sous tension.**

- Vérifiez que son système d'exploitation a normalement démarré.

- 3 Basculez l'interrupteur d'alimentation POWER en position ON pour allumer l'unité.**



- 4 Tournez le bouton INPUT SELECTOR afin de sélectionner USB.**



- 5 Lancez la lecture d'un fichier audio sur l'ordinateur.**

En réglant au maximum le volume de sortie de l'ordinateur et en ajustant le volume de sortie depuis l'amplificateur stéréo, une meilleure qualité sonore peut être obtenue.

Réduisez au minimum le volume de l'amplificateur stéréo avant de commencer la lecture. Ensuite, montez-le progressivement.

Si vous avez branché un casque à cette unité, tournez le bouton VOLUME dans le sens antihoraire pour réduire le volume au minimum avant de mettre le casque. Ensuite, montez-le progressivement.

- L'ordinateur et cette unité ne peuvent pas se contrôler l'un l'autre.
- N'essayez aucune des opérations suivantes pendant la lecture d'un fichier audio par USB. Cela pourrait entraîner un mauvais fonctionnement de l'ordinateur. Quittez toujours le logiciel de lecture audio avant d'entamer une des actions suivantes.
 - Débrancher le câble USB
 - Éteindre cette unité
 - Changer la sélection d'entrée actuelle
- Lors de la lecture d'un fichier audio par USB, les sons du système de l'ordinateur seront aussi produits. Si vous ne souhaitez pas que ces sons soient produits, faites les réglages appropriés sur l'ordinateur pour les couper.
- Si vous branchez cette unité à l'ordinateur ou si vous réglez son entrée sur USB après avoir lancé le logiciel de lecture audio, les fichiers audio peuvent ne pas être lus correctement. Si cela se produit, faites redémarrer le logiciel de lecture audio ou l'ordinateur.

Si vous rencontrez un problème avec l'unité, veuillez prendre un moment pour lire les informations suivantes avant de solliciter une réparation. Si cette unité ne fonctionne toujours pas correctement, contactez le revendeur chez qui vous l'avez achetée.

Générales

L'unité ne s'allume pas.

- ➔ Vérifiez que le cordon d'alimentation est enfoncé à fond dans la prise secteur. Si la prise a un commutateur, vérifiez que celui-ci est en position ON.
- ➔ Branchez un autre appareil électrique à la prise pour vérifier qu'elle fournit bien du courant.
- ➔ Si la fonction d'économie automatique d'énergie a fait passer l'unité en veille, appuyez sur la touche STANDBY/ON de la télécommande pour rallumer l'unité.

Aucun son n'est produit.

- ➔ Si un amplificateur stéréo est branché à cette unité, réglez son volume.
- ➔ Si vous utilisez un casque branché à cette unité, employez le bouton VOLUME pour régler le volume.
- ➔ Avec le bouton INPUT SELECTOR, sélectionnez l'entrée à laquelle est branchée la source que vous désirez entendre.
- ➔ Re-vérifiez les branchements aux autres équipements.

Il y a un bourdonnement.

- ➔ Si un câble de liaison est proche d'un cordon d'alimentation, d'un éclairage fluorescent ou d'une cause de parasites similaire, écartez-les autant que possible l'un de l'autre.

Il n'y a pas de son d'un côté du casque.

- ➔ Vérifiez que la fiche du casque est enfoncée à fond.

Synchronisation d'horloge

Le voyant CLOCK ne cesse pas de clignoter.

- ➔ Réglez l'horloge de synchronisation sur OFF lorsque vous ne l'utilisez pas.
- ➔ La synchronisation avec le signal d'horloge entrant peut ne pas être possible. Vérifiez les connexions des prises de synchro d'horloge et les réglages de l'appareil connecté.

Branchements à un ordinateur

L'ordinateur ne reconnaît pas cette unité.

- ➔ Cette unité peut être branchée à des ordinateurs ayant les systèmes d'exploitation suivants. Le fonctionnement avec d'autres systèmes d'exploitation n'est pas garanti (en date de juillet 2015).

Mac OS

OS X Lion (10.7)
OS X Mountain Lion (10.8)
OS X Mavericks (10.9)
OS X Yosemite (10.10)

- Cette unité peut être utilisée avec le pilote standard du système d'exploitation.

Windows

Windows 7 (32/64 bits)
Windows 8 (32/64 bits)
Windows 8.1 (32/64 bits)
Windows 10 (32/64 bits)

- Nécessite l'installation d'un pilote dédié (page 49).

Du bruit se produit.

- ➔ Lancer d'autres applications durant la lecture d'un fichier musical peut interrompre la lecture ou causer du bruit. Ne lancez pas d'autres applications durant la lecture. Quand l'unité est branchée à un ordinateur via un concentrateur (hub) USB, par exemple, du bruit peut être entendu. Si cela se produit, branchez l'unité directement à l'ordinateur.

Les fichiers audio ne peuvent pas être lus.

- ➔ Branchez cette unité à l'ordinateur et réglez son entrée sur USB avant de lancer le logiciel de lecture audio. Si vous branchez cette unité à l'ordinateur ou si vous réglez son entrée sur USB après avoir lancé le logiciel de lecture audio, les fichiers musicaux peuvent ne pas être lus correctement.

Guide de dépannage (suite)

Fonction Bluetooth

Impossible d'afficher le nom de l'appareil.

- ➔ Cette unité n'affiche pas les symboles ni les caractères codés sur un double octet, comme les caractères japonais et chinois. Pour les noms des appareils Bluetooth connectés à l'unité, n'utilisez que des lettres anglaises et des chiffres.

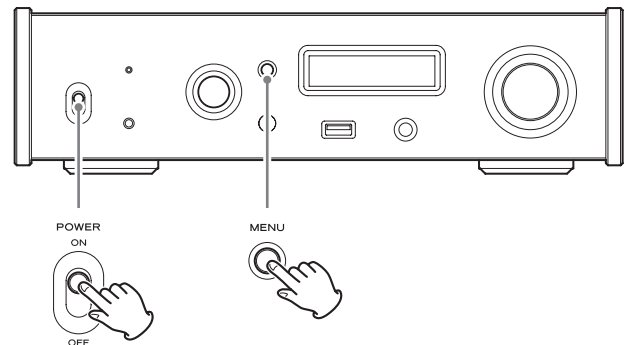
Impossible de changer d'appareil Bluetooth connecté.

- ➔ Cette unité ne peut pas avoir plusieurs connexions Bluetooth en même temps. Pour changer d'appareil connecté à l'unité par Bluetooth, mettez fin à la connexion avec l'appareil Bluetooth actuellement connecté avant de connecter un autre appareil Bluetooth.

Comme cette unité utilise un microcontrôleur, du bruit ou d'autres interférences externes peuvent entraîner son mauvais fonctionnement. Si cela se produit, débranchez le cordon d'alimentation, attendez un instant puis rallumez l'unité et relancez les opérations.

Restauration des réglages par défaut

En maintenant pressée la touche MENU, basculez l'interrupteur d'alimentation POWER sur ON.



- Relâchez la touche MENU lorsque le message « SETUP CLEAR » (effacement de la configuration) apparaît. Les réglages d'usine par défaut sont les valeurs de réglage qui apparaissent dans les images d'écran employées par ce mode d'emploi.

Sorties audio analogiques

Prises.....	Prises XLR × 1 paire
	Prises RCA × 1 paire
Impédance de sortie.....	XLR: 188 Ω
	RCA: 150 Ω
Niveau maximal de sortie (1 kHz/pleine échelle, sous 10 kΩ)	
FIX 0dB.....	XLR/RCA: 2,0 Vrms
FIX +6dB.....	XLR/RCA: 4,0 Vrms
VARIABLE.....	XLR: 12 Vrms
	RCA: 6 Vrms
Réponse en fréquence.....	5 Hz – 80 kHz (+1 dB/–3 dB)
Rapport signal/bruit.....	110 dB (pondération A, 1 kHz)
Distorsion.....	0,0015 % (1 kHz, filtre passe-bas : 20 Hz – 20 kHz)

Sortie casque

Prise.....	Jack 6,35 mm stéréo standard × 1
Sortie maximale efficace.....	500 mW + 500 mW (sous 32 Ω)
Plage d'impédance compatible.....	16 – 600 Ω

Entrées audio numériques*

Numérique COAXIAL.....	Prise RCA × 1
	Mini-jack** 3,5 mm stéréo × 1
	(Connexion par fiche mini-jack 3,5 mm possible avec câble adaptateur RCA/mini-jack 3,5 mm)
	(0,5 Vc-c, 75 Ω)
Numérique OPTICAL.....	Prise rectangulaire × 1
	Mini-jack** 3,5 mm stéréo × 1
	(–24,0 à –14,5 dBm en crête)
Clé USB.....	Port USB (avant) de type A × 1
	(conforme USB 2.0)
USB.....	Port USB (arrière) de type B × 1
	(conforme USB 2.0)
Réseau local.....	100BASE-T
Fréquence d'échantillonnage des données PCM	
Numérique COAXIAL	32 kHz, 44,1 kHz, 48 kHz, 88,2 kHz, 96 kHz, 176,4 kHz, 192 kHz
Numérique OPTICAL	32 kHz, 44,1 kHz, 48 kHz, 88,2 kHz, 96 kHz, 176,4 kHz, 192 kHz
USB	44,1 kHz, 48 kHz, 88,2 kHz, 96 kHz, 176,4 kHz, 192 kHz, 352,8 kHz, 384 kHz
Résolution de quantification en bits	
Numérique COAXIAL/numérique OPTICAL.....	16/24 bits
USB.....	16/24/32 bits
Fréquence d'échantillonnage des données DSD	
Numérique COAXIAL/numérique OPTICAL.....	2,8 MHz
	(pris en charge par transmission DoP 176,4 kHz/24 bits)
USB.....	2,8 MHz, 5,6 MHz, 11,2 MHz

*Voir le manuel d'utilisation en réseau pour plus de détails sur les clés USB et les réseaux.

**Cette prise d'entrée peut être utilisée aussi bien pour la connexion optique que coaxiale.

Entrée d'horloge de synchronisation

Connecteur.....	BNC
Fréquence d'échantillonnage d'entrée.....	10 MHz
Impédance d'entrée.....	50 Ω
Niveau d'entrée.....	Onde rectangulaire : équivalent aux niveaux TTL
	Onde sinusoïdale : 0,5 à 1,0 Vrms

Fonction Bluetooth

Version de Bluetooth.....	3.0
Classe de sortie.....	Classe 2
	(portée approximative de transmission*: 10 m)
Profils pris en charge.....	A2DP, AVRCP
Codecs A2DP pris en charge.....	SBC, AAC, aptX
Protection de contenu A2DP prise en charge.....	SCMS-T
Nombre maximal d'appairages mémorisés.....	8

*La portée de transmission est approximative. Elle peut varier en fonction de l'environnement et du paysage électromagnétique.

Générales

Alimentation électrique	
Modèle Europe.....	CA 220–240 V, 50/60 Hz
Modèle U.S.A./Canada.....	CA 120 V, 60 Hz
Consommation électrique.....	18 W
Consommation en veille.....	0,4 W (en mode de veille)
	3 W (en mode veille réseau)
Dimensions externes.....	290 mm × 81,2 mm × 248,7 mm
	(L × H × P hors tout)
Poids.....	3,9 kg
Température de fonctionnement.....	+5°C à +35°C
Hygrométrie de fonctionnement.....	5 à 85 % (sans condensation)
Température de stockage.....	–20°C à +55°C

Accessoires fournis

Cordon d'alimentation × 1
Câble de conversion (RCA vers mini-jack) × 1
Télécommande (RC-1320) × 1
Piles pour télécommande (AAA) × 2
Mode d'emploi (ce document) × 1
Carte de garantie × 1 (pour les utilisateurs aux USA et au Canada uniquement)

- Conception et caractéristiques techniques sont sujettes à modifications sans préavis.
- Le poids et les dimensions sont des valeurs approchées.
- Les illustrations de ce mode d'emploi peuvent légèrement différer des modèles de production.

INSTRUCCIONES IMPORTANTES DE SEGURIDAD



El símbolo del rayo acabado en flecha dentro de un triángulo equilátero alerta al usuario de la presencia de un "voltaje peligroso" sin aislar dentro de la carcasa del producto que puede ser de magnitud suficiente como para constituir riesgo de descarga eléctrica para las personas.



El signo de exclamación dentro de un triángulo equilátero alerta al usuario de la presencia de importantes instrucciones de funcionamiento y mantenimiento en la literatura que acompaña al aparato.

ADVERTENCIA: PARA EVITAR RIESGO DE INCENDIO O DESCARGAS ELÉCTRICAS, NO EXPONGA ESTE APARATO A LA LLUVIA NI A LA HUMEDAD.

PRECAUCIÓN

- NO quite las carcasas externas ni deje al aire la electrónica. ¡EN EL INTERIOR NO HAY PIEZAS QUE EL USUARIO PUEDA MANIPULAR!
- SI EXPERIMENTA PROBLEMAS CON ESTE PRODUCTO, PÓNGASE EN CONTACTO CON EL ESTABLECIMIENTO DONDE ADQUIRIÓ LA UNIDAD PARA SOLICITAR SERVICIO TÉCNICO. NO UTILICE EL APARATO HASTA QUE HAYA SIDO REPARADO.
- EL USO DE CONTROLES, AJUSTES O PROCEDIMIENTOS QUE NO SEAN LOS ESPECIFICADOS EN ESTE MANUAL PUEDE CAUSAR EXPOSICIÓN A RADIACIONES PELIGROSAS.

- 1) Lea estas instrucciones.
 - 2) Conserve estas instrucciones.
 - 3) Cumpla con lo indicado en los avisos.
 - 4) Siga todas las instrucciones.
 - 5) No utilice este aparato cerca del agua.
 - 6) Límpielo solo con un trapo seco.
 - 7) No bloquee ninguna de las ranuras de ventilación. Instale este aparato de acuerdo con las instrucciones del fabricante.
 - 8) No instale este aparato cerca de fuentes de calor como radiadores, calentadores, hornos u otros aparatos (incluyendo amplificadores) que produzcan calor.
 - 9) No elimine el sistema de seguridad que supone el enchufe polarizado o con toma de tierra. Un enchufe polarizado tiene dos bornes, uno más ancho que el otro. Uno con toma de tierra tiene dos bornes iguales y una tercera lámina para la conexión a tierra. El borne ancho o la lámina se incluyen para su seguridad. Si el enchufe que venga con la unidad no encaja en su salida de corriente, haga que un electricista cambie su salida anticuada.
 - 10) Evite que el cable de corriente quede de forma que pueda ser pisado o quedar retorcido o aplastado, especialmente en los enchufes, receptáculos o en el punto en el que salen del aparato.
 - 11) Use solo accesorios / complementos especificados por el fabricante.
 - 12) Utilice este aparato solo con un soporte, trípode o bastidor especificado por el fabricante o que se venda con el propio aparato. Cuando utilice un bastidor con ruedas, tenga cuidado al mover la combinación de aparato/bastidor para evitar que vuelque y puedan producirse daños.
 - 13) Desconecte este aparato de la corriente durante las tormentas eléctricas o cuando no lo vaya a usar durante un periodo de tiempo largo.
 - 14) Dirija cualquier posible reparación solo al servicio técnico oficial. Este aparato deberá ser reparado si se ha dañado de alguna forma, como por ejemplo si el cable de corriente o el enchufe están rotos, si ha sido derramado algún líquido sobre la unidad o algún objeto ha sido introducido en ella, si ha quedado expuesto a la lluvia o la humedad, si no funciona normalmente o si ha caído al suelo en algún momento.
- Este aparato libera corriente nominal no válida para el funcionamiento a través de la toma de corriente, aún cuando el interruptor de encendido y activación (POWER o STANDBY/ON) no esté en la posición de encendido (ON).
 - El enchufe que se conecta a la red es el dispositivo de desconexión, por lo que deberá permanecer siempre en perfecto estado de uso.
 - Deberá llevar cuidado si utiliza auriculares con este producto, ya que una excesiva presión sonora (volumen) procedente de los mismos puede causar pérdidas de audición.



PRECAUCIÓN

- No exponga este aparato a salpicaduras ni goteras.
- No coloque objetos que contengan líquidos, como por ejemplo jarrones, sobre el aparato.
- No instale este aparato en lugares cerrados tales como estanterías o similares.
- Este aparato debe situarse lo suficientemente cerca de una toma de electricidad como para poder alcanzar fácilmente el cable de corriente en cualquier momento.
- Si el producto utiliza pilas (esto incluye las pilas instaladas y los "packs" de pilas), se evitará su exposición directa al sol, al fuego o a cualquier otra fuente de calor excesivo.
- **PRECAUCIÓN** con los productos que emplean baterías de litio reemplazables: existe peligro de explosión si la batería se reemplaza por otra de tipo incorrecto. Reemplácela sólo por otra igual o de tipo equivalente.

AVISO

Los productos con construcción de Clase **I** están equipados con un cable de alimentación que tiene conexión de tierra. El cable de estos productos deberá conectarse a una toma de corriente que tenga conexión de protección de tierra.

EN EE. UU./CANADÁ, UTILICE SOLO ALIMENTACIÓN CON CORRIENTE DE 120 V.



Precauciones con respecto a las pilas

Un mal uso de las pilas puede hacer que se rompan o que tengan fugas y ello causar fuego, lesiones u oxidación en los objetos cercanos. Por favor, lea y observe las siguientes precauciones cuidadosamente.

- Asegúrese de introducir las pilas siempre con la correcta orientación de los polos positivo (\oplus) y negativo (\ominus).
- Use pilas del mismo tipo. Nunca utilice juntas pilas de tipos diferentes.
- Si no va a utilizar el mando a distancia durante mucho tiempo (más de un mes), quite las pilas para evitar que se sulfaten y tengan fugas.
- Si las pilas presentan fugas, limpie el líquido que haya caído en el compartimento y sustituya las pilas por otras nuevas.
- No utilice pilas que no sean del tipo especificado. No mezcle pilas nuevas con viejas ni utilice juntas pilas de tipos distintos.
- No caliente ni desarme las pilas. Nunca tire pilas al fuego ni al agua.
- No transporte ni almacene pilas con otros objetos metálicos. Las pilas podrían producir cortocircuitos, perder líquido o explotar.
- Nunca recargue una pila si no está completamente seguro de que es una pila recargable.

Para consumidores europeos

Deshacerse de aparatos eléctricos, electrónicos, pilas/baterías y acumuladores

- Todos los aparatos eléctricos y electrónicos, y pilas/baterías y acumuladores gastados, deben ser eliminados separados del resto de basura común y únicamente en los "puntos limpios" o bajo los procedimientos especificados por el gobierno o autoridades municipales locales.
- Con la eliminación correcta de los equipos eléctricos y electrónicos, y de pilas/baterías y acumuladores gastados, estará ayudando a conservar recursos muy valiosos y a evitar los posibles efectos negativos en la salud humana y en el medio ambiente.
- La eliminación incorrecta de los equipos eléctricos y electrónicos, y pilas/baterías y acumuladores, puede producir efectos muy dañinos en el medio ambiente y en la salud humana a causa de las sustancias peligrosas que pueden encontrarse en estos equipos.
- El símbolo de Eliminación de Aparatos Eléctricos y Electrónicos (WEEE en inglés), identificado por cubos de basura con ruedas tachados, indican que los equipos eléctricos y electrónicos, y las pilas/baterías y acumuladores, deben ser eliminados de forma totalmente independiente con respecto a la basura doméstica. Si una pila/batería o un acumulador contienen más cantidad de los valores especificados de plomo (Pb), mercurio (Hg), y/o cadmio (Cd) según está definido en la Directiva relativa a las pilas (2006/66/EC), entonces los símbolos químicos correspondientes a estos elementos estarán indicados debajo del símbolo WEEE.  
- Existen sistemas para la eliminación y recogida a disposición del usuario final. Si necesita más información sobre cómo deshacerse de aparatos eléctricos y electrónicos antiguos, así como de pilas/baterías y acumuladores, póngase en contacto con su ayuntamiento, con la correspondiente empresa del servicio de recogida de residuos o con el establecimiento donde adquirió ese aparato.

DECLARACIÓN DE CONFORMIDAD

TEAC AUDIO EUROPE, Liegnitzer Straße 6, 82194 Gröbenzell, Alemania, declara bajo su plena responsabilidad que el producto TEAC descrito en este manual cumple con las normas técnicas correspondientes.



Precauciones con los equipos inalámbricos

Cumplimiento de las normas de interferencias y transmisión de radio

Modelo para EE. UU.

Declaración de conformidad

Parte responsable:
TEAC AMERICA, INC.

Dirección: 1834 Gage Road, Montebello, California, U.S.A.

Número de teléfono: 1-323-726-0303

Este dispositivo cumple con el apartado 15 de las Normas de la FCC. Su funcionamiento está sujeto a las dos siguientes condiciones: (1) este dispositivo no puede causar interferencias perjudiciales y (2) este dispositivo debe aceptar cualquier interferencia recibida, incluyendo aquellas que puedan producir un funcionamiento no deseado.



Etiquetado de autorización
ID de la FCC: XEG-NT503

Modelo para el Espacio Económico Europeo (EEE)

Este equipo cumple con el estándar armonizado de la DIRECTIVA 1999/5/EC (R&TTE).

Etiquetado de conformidad con la
indicación CE:



PRECAUCIÓN

La autorización de dispositivos inalámbricos son diferentes según los países o regiones. Por favor, utilice el producto solamente en el país donde lo adquirió.

- Dependiendo del país, podrían existir restricciones para el uso de la tecnología inalámbrica Bluetooth.

Verifique las leyes y regulaciones del país o región donde vaya a utilizar la unidad antes de hacerlo.

Requerimientos acerca de la exposición a radiaciones

Este equipo cumple con la regulación internacionalmente reconocida para los casos de exposición humana a ondas de radio generadas por un transmisor.

Declaración de cumplimiento

Modelo para EE. UU.

Este equipo cumple con los límites de exposición a radiación establecidos por la FCC para entornos no controlados y cumple las directrices de la FCC en materia de exposición a radiofrecuencia.

Modelo para el Espacio Económico Europeo (EEE)

Este equipo cumple con la valoración EN.62311 de equipos electrónicos y eléctricos relativa a las restricciones de exposición humana a campos electromagnéticos, el estándar armonizado de la DIRECTIVA 1999/5/EC.

PRECAUCIÓN

Cualquier cambio o modificación efectuada en este equipo que no haya sido expresamente aprobada por la parte responsable del cumplimiento de los requisitos exigidos podría invalidar el derecho del usuario a utilizar el equipo.

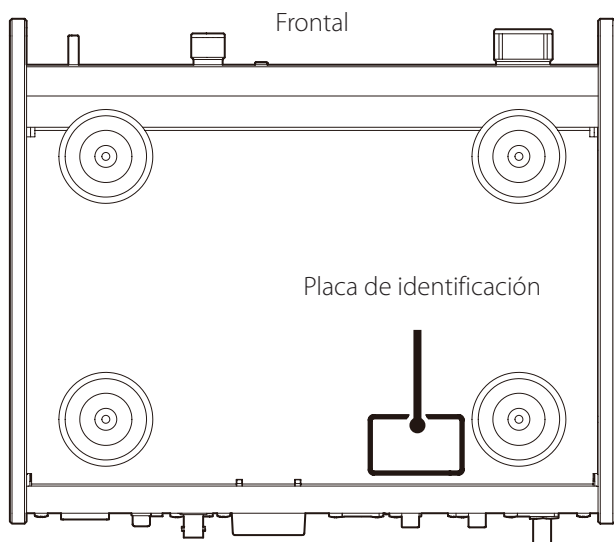
Información sobre interferencias (requerimientos de la FCC)

Se ha comprobado que este equipo cumple con los límites establecidos para los dispositivos digitales de Clase B, de acuerdo con el apartado 15 de las Normas de la FCC. Estos límites están diseñados para proporcionar una protección razonable contra interferencias perjudiciales en instalaciones residenciales.

Este equipo genera, utiliza y puede irradiar energía de radiofrecuencia y, si no se instala y se utiliza de acuerdo con las instrucciones, puede causar interferencias perjudiciales en las comunicaciones por radio. Sin embargo, no se puede garantizar que dichas interferencias no se produzcan en instalaciones particulares. Si este equipo causa interferencias perjudiciales en la recepción de radio o televisión, que se comprueban apagando y encendiendo el equipo, se recomienda al usuario que intente corregirla mediante una o varias de las siguientes medidas.

- Reoriente o recolocque el equipo y/o la antena receptora.
- Aumente la separación entre el equipo y el receptor.
- Conecte el equipo a una toma de electricidad situada en un circuito eléctrico diferente al del receptor.
- Consulte al distribuidor o solicite ayuda a un técnico de radio/TV con experiencia.

La placa de identificación está situada en la parte inferior de la unidad como muestra la ilustración.



Consulte la página 2 para más información sobre marcas comerciales y otras declaraciones legales (solo en inglés).

La información sobre derechos de autor (copyright) y licencias relacionados con software de código abierto figuran en el documento "Important Notice Regarding Software" (notificación importante acerca del software) que se proporciona por separado (solo en inglés).

Índice

Gracias por elegir TEAC.

Lea esta manual atentamente para obtener el mejor rendimiento de esta unidad. Después de leerlo, guárdelo en un lugar seguro para futuras consultas.

ATENCIÓN

- Para más información sobre las funciones de red de esta unidad, consulte el Manual de red.
- El Manual del usuario y el Manual de red pueden descargarse desde la web global de TEAC (<http://www.teac-global.com/>).
- Para reproducir archivos de unidades flash USB y utilizar la unidad conectada a una red, instale la app específica (gratis) en un smartphone o tablet y conecte dicho dispositivo a la misma red que esta unidad.

INSTRUCCIONES IMPORTANTES DE SEGURIDAD	54
Precauciones con los equipos inalámbricos	56
Accesorios incluidos	58
Antes de su utilización	58
Mantenimiento	59
Web global de TEAC	59
Registro del producto	59
Descarga de la app de control remoto	59
Conexiones	60
Conexiones (panel frontal)	62
Conexión de unos auriculares	63
Sobreconversión	63
Nombres y funciones de las partes (unidad principal)	64
Uso del mando a distancia	65
Nombres y funciones de las partes (mando a distancia)	66
Funcionamiento básico	67
Pantalla	68
Tecnología inalámbrica Bluetooth®	70
Ajustes de configuración	72
Reproducción de música en un ordenador	75
Solución de posibles fallos	77
Especificaciones	79

Accesorios incluidos

Asegúrese de que la caja contiene todos los accesorios descritos a continuación.

Por favor, póngase en contacto con el establecimiento donde adquirió esta unidad si falta alguno de estos accesorios o si alguno de ellos ha resultado dañado durante el transporte.

Cable de corriente × 1

Cable de conversión RCA (RCA a miniconector) × 1

Mando a distancia (RC-1320) × 1

Pilas para el mando a distancia (AAA) × 2

Manual del usuario (este documento) × 1

- Guarde este manual en un lugar seguro para futuras consultas.

Tarjeta de garantía × 1 (solo para usuarios de EE. UU. y Canadá)

- Los usuarios de Europa y otros países y zonas deben consultar la contraportada para obtener información sobre la garantía.

Antes de su utilización

⚠ Precauciones de uso

- No instale esta unidad en un lugar donde pueda calentarse. Esto incluye lugares expuestos a la luz solar directa o cerca de un radiador, calentador, estufa u otro equipo de calefacción. Tampoco la coloque encima de un amplificador u otro equipo que genere calor. Si lo hace, podría decolorarse, deformarse o estropearse.
- Evite emplazamientos que sean extremadamente fríos o que estén expuestos a una humedad o polvo excesivos.
- Cuando instale esta unidad, deje un pequeño espacio (al menos 3 cm) entre ella y las paredes u otros dispositivos con el fin de permitir una buena disipación del calor. Si la instala en un rack, por ejemplo, deje al menos 5 cm de espacio libre por encima y 10 cm por detrás. Si no lo hace, podría causar que el calor se acumule en su interior y provocar un incendio.
- Coloque la unidad en un emplazamiento estable cerca del equipo de audio con el que la vaya a utilizar.
- NO coloque nada, ni siquiera discos CD, CD-R, discos de vinilo o cintas de cassette encima de las unidades. Si lo hace, pueden dañarse.
- El voltaje suministrado a la unidad deberá coincidir con el voltaje impreso en el panel posterior. Si tiene dudas al respecto, consulte a un electricista.
- No mueva la unidad mientras está en uso.
- No abra la carcasa porque podría causar daños en los circuitos o una descarga eléctrica. Si se introduce un objeto extraño en la unidad, póngase en contacto con su distribuidor.
- Cuando desenchufe el cable de corriente de una toma de electricidad, tire siempre directamente del conector, nunca del cable.

Mantenimiento

Limpie la suciedad de la cubierta superior y otros paneles utilizando un paño suave ligeramente humedecido con un detergente neutro diluido.

No limpie la unidad con paños impregnados en productos químicos, disolvente u otros agentes químicos. Si lo hace, podría dañar la superficie.

⚠ Para su seguridad, desconecte el cable de corriente de la toma de electricidad antes de proceder a la limpieza.

Web global de TEAC

Las actualizaciones correspondientes a esta unidad se pueden descargar desde la web global de TEAC: <http://teac-global.com/>

- 1) Entre en la web global de TEAC.
- 2) En la sección de descargas (downloads) de TEAC, haga clic en el idioma que desee para abrir la página web de descargas correspondiente a ese idioma.

NOTA

Si no aparece el idioma que desea, haga clic en "Other Languages" (otros idiomas).

- 3) Haga clic en la sección "Search by Model Name" (buscar por nombre de modelo) para abrir la página de descargas de este producto. Sin embargo, los usuarios de Europa deben hacer clic en el nombre del producto en la sección "Products" (productos).
- 4) Seleccione y descargue las actualizaciones que necesite.

Registro del producto

Los clientes de EE. UU., por favor visiten el siguiente sitio WEB de TEAC para registrar su producto en línea:

<http://audio.teac.com/support/registration/>

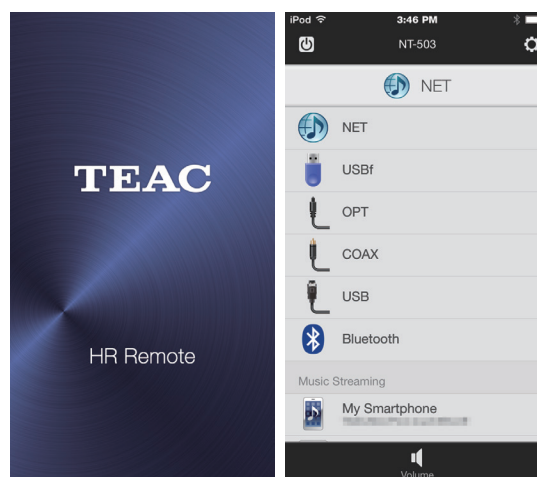
Descarga de la app de control remoto

Para reproducir archivos contenidos en unidades flash USB y utilizar la unidad conectada a una red, instale la app específica (gratuita) en una tablet o smartphone y conéctelo a la misma red que la unidad.

- Para más información, consulte el Manual de red.

Si instala la app en un iPad/iPhone/iPod touch o en un dispositivo Android, puede utilizarla a través de una red inalámbrica para un control básico de la unidad.

- La app se puede descargar y utilizarse gratuitamente.



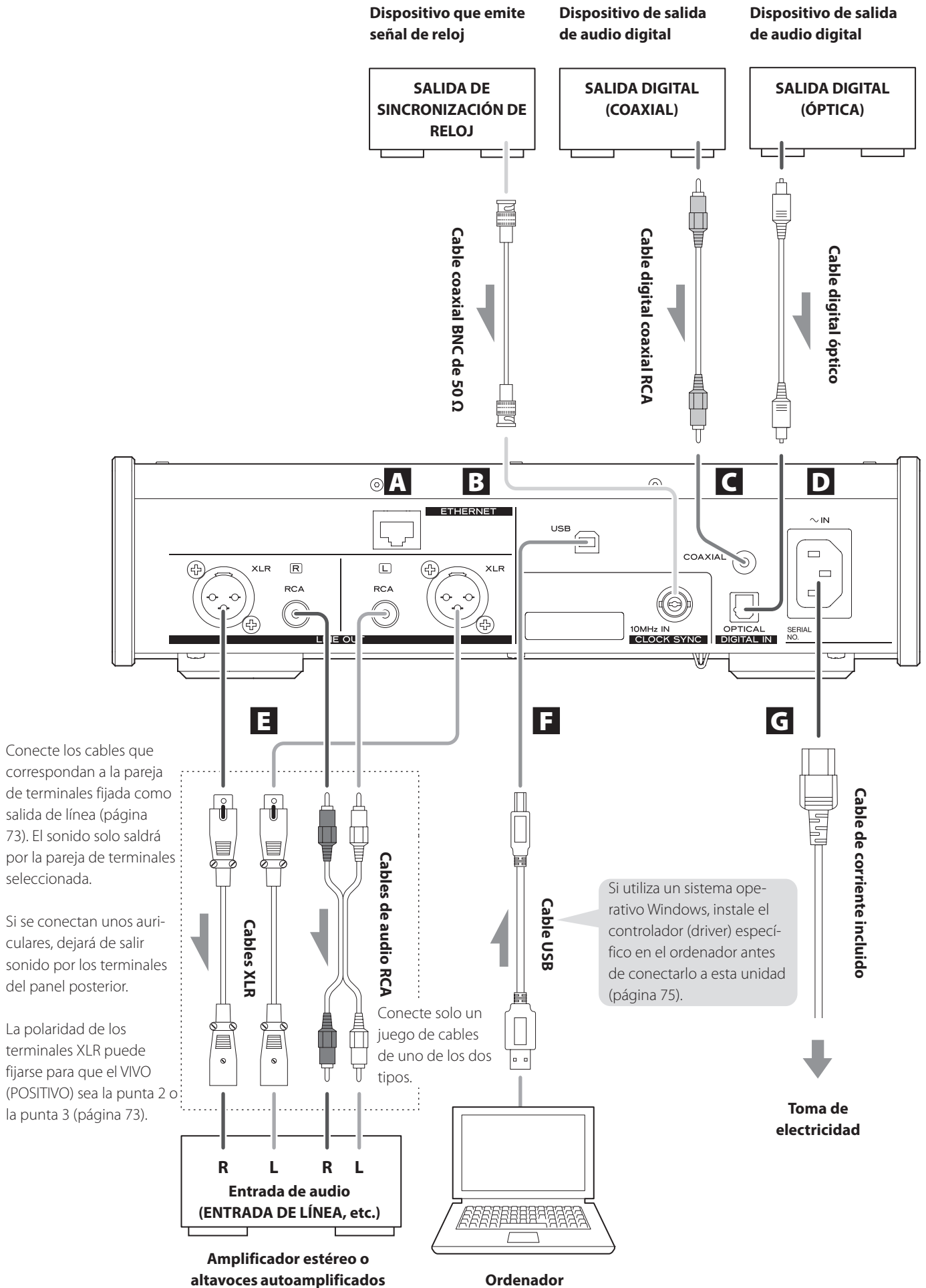
Cómo descargar la app para iPad/iPhone/iPod touch

Busque "TEAC HR Remote" en el App Store.

Cómo descargar la app para Android

Busque "TEAC AVR Remote" en el sitio web de Google Play:

Conexiones



Conecte los cables que correspondan a la pareja de terminales fijada como salida de línea (página 73). El sonido solo saldrá por la pareja de terminales seleccionada.

Si se conectan unos auriculares, dejará de salir sonido por los terminales del panel posterior.

La polaridad de los terminales XLR puede fijarse para que el VIVO (POSITIVO) sea la punta 2 o la punta 3 (página 73).

A Puerto ETHERNET

Conecte en este puerto a un cable LAN de los que se venden en establecimientos comerciales cuando desee conectar esta unidad a una red cableada o a Internet.

- Al cambiar de fuente de entrada, este puerto se identifica como "NET".

B Terminal de entrada de sincronización de reloj CLOCK SYNC (10MHz IN)

Por este terminal se introduce una señal de sincronización (sincronización de reloj) (página 79).

Para introducir una señal de oscilador de 10 MHz, conecte aquí la salida del oscilador.

- Para la conexión, utilice un cable coaxial BNC (50 Ω) de los que se pueden adquirir en establecimientos comerciales.
- La sincronización de reloj solo es posible cuando la fuente de entrada es USB, USBf o NET.

C Terminal de entrada de audio digital coaxial RCA (COAXIAL)

Se utiliza para introducir audio digital. Conecte aquí el terminal de salida de audio digital coaxial de un dispositivo de audio.

Para la conexión, utilice un cable digital coaxial RCA de los que se venden en establecimientos comerciales.

D Terminal de entrada de audio digital óptico (OPTICAL)

Se utiliza para introducir audio digital. Conecte aquí el terminal de salida de audio digital óptico de un dispositivo de audio.

Para la conexión, utilice un cable digital óptico con conector rectangular de los que se pueden adquirir en establecimientos comerciales.

E Terminales de salida de audio analógico (LINE OUT)

Por estos terminales salen 2 canales de audio analógico. Conecte estos terminales XLR o RCA a un amplificador estéreo o a altavoces autoamplificados.

Para las conexiones, utilice cables de los que se pueden adquirir en establecimientos comerciales.

XLR: cables XLR balanceados

RCA: cables de audio RCA

Conecte el terminal "R" (derecha) de esta unidad al terminal "R" del amplificador, y el terminal "L" (izquierda) al terminal "L" del amplificador.

F Puerto USB (posterior)

Se utiliza para introducir audio digital desde un ordenador. Conéctelo al puerto USB de un ordenador.

Para esta conexión, utilice un cable USB 2.0 (tipo A-B) de los que se venden en establecimientos comerciales.

ATENCIÓN

Antes de conectar un ordenador que funcione con un sistema operativo Windows, es necesario instalar el controlador (driver) específico en el ordenador (página 75).

No es posible una conexión correcta con un ordenador si este no tiene dicho controlador instalado.

G Entrada de corriente (~IN)

Inserte aquí el cable de corriente incluido.

No enchufe el cable de corriente a una toma de electricidad hasta que haya terminado de hacer todas las demás conexiones.

⚠ Utilice solo el cable de corriente incluido. El uso de otros cables de corriente puede originar un incendio o una descarga eléctrica. Desenchufe el cable de corriente de la toma de electricidad si no va a utilizar la unidad durante un largo periodo de tiempo.

⚠ Termine de hacer todas las conexiones antes de encender la unidad.

- Lea atentamente los manuales de los dispositivos que vaya a conectar y siga sus instrucciones para hacer las conexiones.
- No agrupe ni mezcle los cables de las conexiones con los cables de corriente. Si lo hace, puede generarse ruido.
- Inserte por completo todos los conectores.

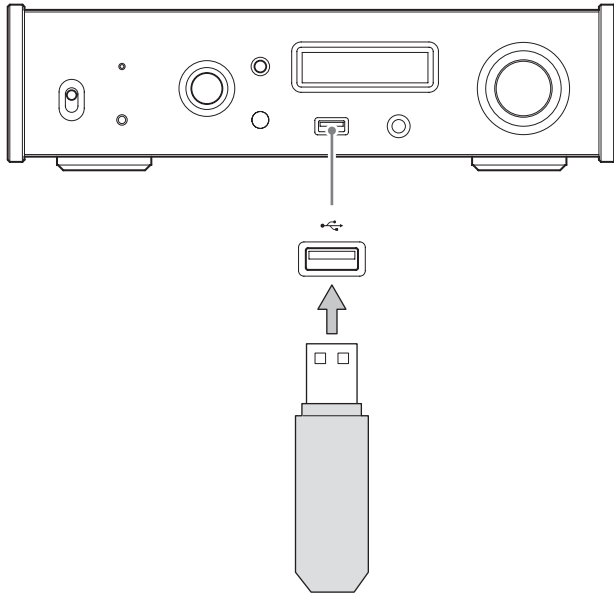
Conexiones (panel frontal)

Unidades flash USB

Las unidades flash USB se conectan al puerto USB del frontal de la unidad.

Para reproducir archivos de una unidad flash USB, seleccione NET como fuente de entrada y utilice la app para la reproducción.

- Para más información, consulte el Manual de red.



Entrada de audio digital (OPT/COAX IN)

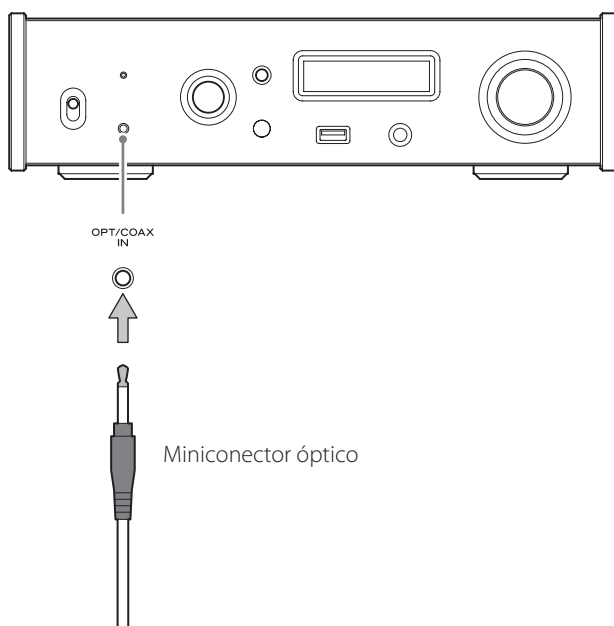
Este terminal de entrada se puede utilizar tanto para conexiones ópticas (OPT) como coaxiales (COAX).

Conexión óptica (OPT)

Utilice un cable óptico con miniconector de los que se venden en establecimientos comerciales.

Para habilitar esta entrada, gire el mando INPUT SELECTOR para seleccionar OPTf.

- La "f" indica el panel frontal.

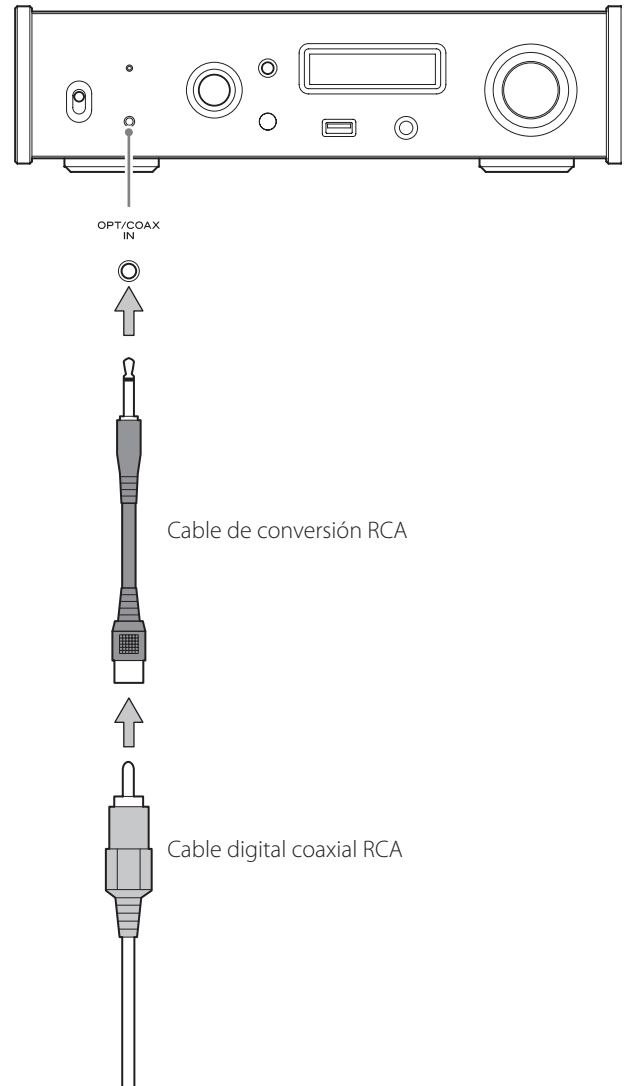


Conexión coaxial (COAX)

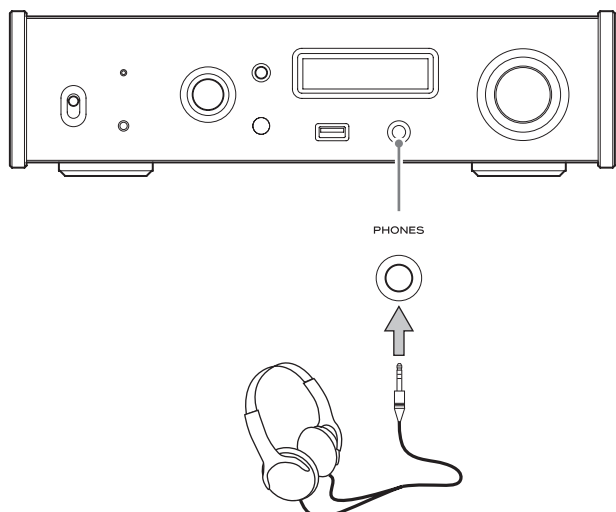
Utilice el cable de conversión RCA incluido y un **cable digital coaxial RCA de los que se venden en establecimientos comerciales**.

Para habilitar esta entrada, gire el mando INPUT SELECTOR para seleccionar COAXf.

- La "f" indica el panel frontal.



Conexión de unos auriculares



⚠ PRECAUCIÓN

Nunca conecte o desconecte los auriculares, ni encienda o apague la unidad, con los auriculares puestos.

Si lo hace puede causar ruido repentino a alto volumen capaz de lesionar sus oídos.

Ponga siempre el volumen al mínimo ($-\infty$ dB) antes de ponerse los auriculares (página 67).

Sobreconversión

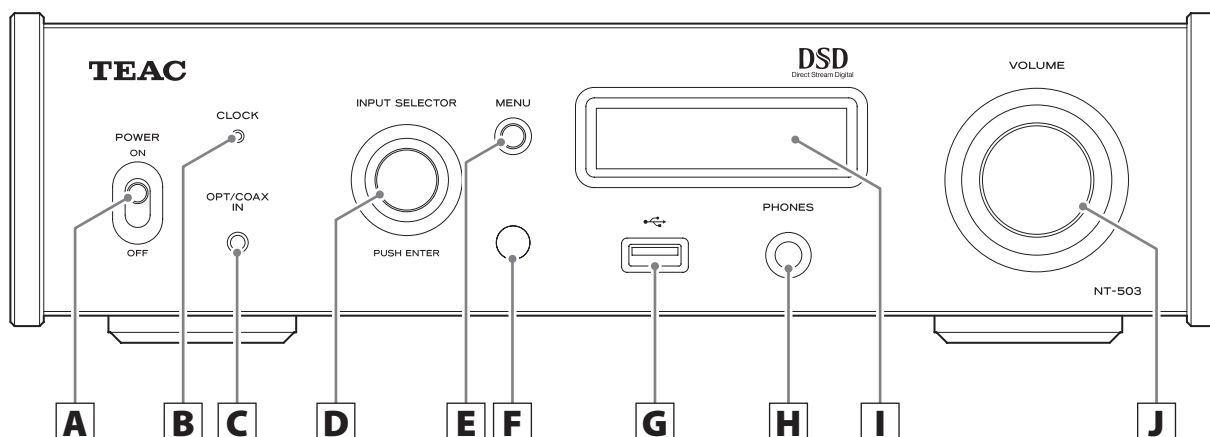
Con las entradas digitales se puede utilizar la función de sobreconversión, incluidos los terminales de entrada OPT/COAX IN y los puertos USB frontal y posterior (página 73).

Las relaciones entre las frecuencias de muestreo de entrada y las frecuencias de muestreo después de la sobreconversión son las siguientes:

Fuente de entrada		Ajuste de sobreconversión				
Entada de audio digital	USB	OFF	2Fs	4Fs	8Fs	DSD
Frecuencia de muestreo de entrada		Frecuencia de muestreo después de la sobreconversión				
[kHz]		[kHz]				[MHz]
32	-	32	64	128	256	8.0
44.1	44.1	44.1	88.2	176.4	352.8	11.2
88.2	88.2	88.2	88.2	176.4	352.8	11.2
176.4	176.4	176.4	176.4	176.4	352.8	11.2
-	352.8	352.8	352.8	352.8	352.8	11.2
48	48	48	96	192	384	12.2
96	96	96	96	192	384	12.2
192	192	192	192	192	384	12.2
-	384	384	384	384	384	12.2

Los valores indicados con no cambian.

Nombres y funciones de las partes (unidad principal)



A Interruptor POWER

Se utiliza para encender y apagar la unidad.

- Si la pantalla permanece oscura aunque el interruptor POWER esté en ON (activado), normalmente la causa es una de las siguientes:
 - La unidad está encendida, pero DIMMER (brillo de la pantalla) está ajustado en OFF (desactivado) (página 74).
 - La función de ahorro de energía automático ha puesto la unidad en reposo (standby).
 - El cable de corriente está desconectado.

Para encender la unidad, pulse el botón STANDBY/ON del mando a distancia, o ponga el interruptor POWER en OFF (desactivado) y vuelva a ponerlo en ON (activado).

B Indicador CLOCK

Muestra el estado de la sincronización de reloj.

Iluminado	La unidad está sincronizada con el reloj del terminal de entrada CLOCK SYNC (10MHz IN).
Parpadeando	No está entrando ningún reloj o la unidad no se está sincronizando.
Apagado	No hay sincronización de reloj.

- Consulte la página 73 para más información sobre los ajustes de sincronización de reloj.

C Entrada de audio digital (OPT/COAX IN)

Se utiliza para introducir audio digital (página 62).

Conexión óptica Utilice un cable óptico con miniconector.

Conexión coaxial Utilice el cable de conversión RCA incluido.

D Mando INPUT SELECTOR

Se utiliza para seleccionar la fuente de entrada.

Se utiliza para cambiar los valores de los ajustes cuando se muestra un elemento de un menú.

Púselo para utilizarlo a modo de botón "Intro" (ENTER).

Gírelo cuando el menú esté abierto para cambiar el elemento de pantalla o el valor de ajuste.

E Botón MENU

Púselo para entrar en el modo de ajustes de configuración (página 72).

Dentro del modo de configuración, púselo para volver a la pantalla anterior.

F Receptor de señal del mando a distancia

Recibe las señales del mando a distancia. Cuando utilice el mando a distancia, apunte con él hacia este receptor de señal.

Uso del mando a distancia

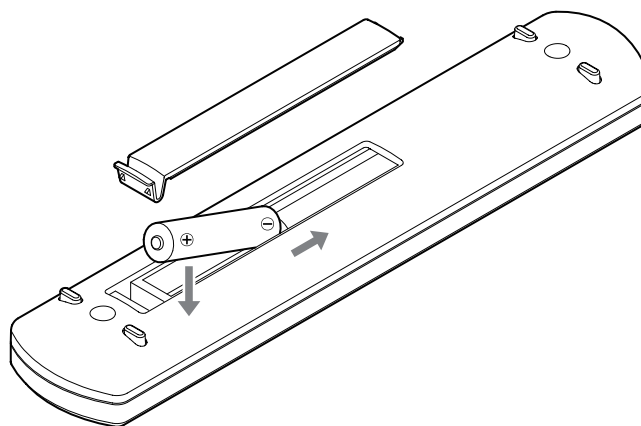
Precauciones de uso

⚠ Un mal uso de las pilas podría provocar que se rompan o que tengan fugas, y ello causar un incendio, lesiones u oxidación de materiales cercanos. Por favor, lea atentamente y observe las precauciones que encontrará en la página 55.

- Cuando utilice el mando a distancia, apunte con él hacia el receptor de la señal del mando a distancia que hay en la unidad principal, a una distancia de 5 m o menos. No coloque obstáculos entre la unidad principal y el mando a distancia.
- El mando a distancia puede no funcionar si el receptor de la señal del mando a distancia que hay en la unidad principal está expuesto a la luz solar directamente o a una luz intensa. Si esto ocurre, intente mover de sitio la unidad.
- Lleve cuidado ya que el uso de este mando a distancia podría causar el funcionamiento involuntario de otros dispositivos que pueden ser controlados por rayos infrarrojos.

Instalación de las pilas

Quite la tapa de la parte posterior del mando a distancia e inserte dos pilas AAA en el compartimento con sus indicadores ⊕/⊖ orientados como se muestra en la figura. Vuelva a colocar la tapa.



Cuándo cambiar las pilas

Si la distancia necesaria para un buen funcionamiento entre el mando a distancia y la unidad principal disminuye o si la unidad deja de responder a los botones del mando a distancia, cambie ambas pilas por otras nuevas.

Deshágase de las pilas usadas de acuerdo con las instrucciones que aparezcan en ellas, o según los requisitos establecidos por las normas locales.

G Puerto USB (frontal)

Aquí se conectan las unidades flash USB.

- Para reproducir archivos de música de una unidad flash USB, seleccione NET como fuente de entrada y utilice la app para la reproducción.
- No conecte ningún ordenador al puerto USB frontal de esta unidad. Para introducir audio desde un ordenador, conéctelo al puerto USB situado en la parte posterior de esta unidad.
- Para más información, consulte el Manual de red.

H Terminal PHONES

Conecte unos auriculares que tengan un jack estéreo de tamaño estándar: 6,3 mm (página 63).

- Cuando hay auriculares conectados a esta unidad, no sale audio por las salidas de audio analógico del panel posterior.

I Pantalla

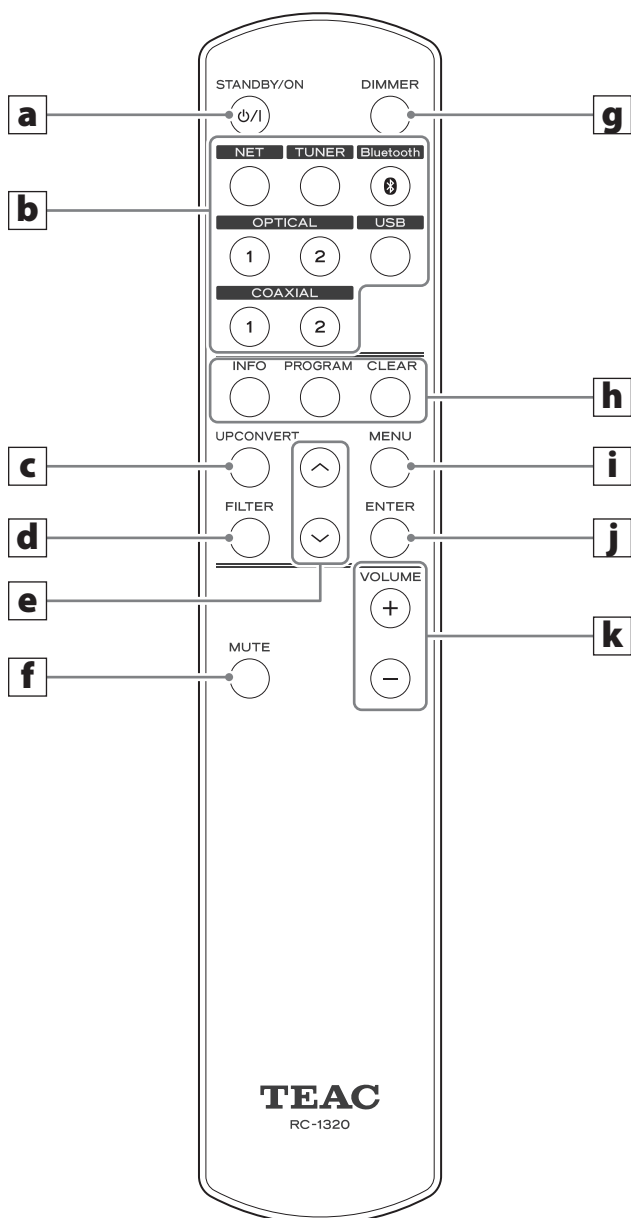
En esta pantalla se muestra la información sobre la reproducción de audio y las distintas pantallas de menús.

J Mando VOLUME

Se utiliza para ajustar el volumen de salida de los auriculares. Girando a la derecha se sube el volumen y a la izquierda se baja.

- Para poder ajustar el volumen de salida del audio analógico de esta unidad, hay que configurar LINE OUT LEVEL como VARIABLE ("Nivel de salida de línea (LINE OUT LEVEL)" en la página 74). Esto permitirá ajustar el nivel de salida del audio analógico utilizando este mando VOLUME.
- Los ajustes de volumen se mantienen independientes para la salida de audio analógico y para la salida de auriculares.

Nombres y funciones de las partes (mando a distancia)



a Botón STANDBY/ON

Púselo para poner la unidad en modo de reposo (standby) o para encenderla.

b Botones de entradas

Se utilizan para seleccionar la fuente de reproducción.

- El botón USB selecciona el puerto USB posterior.
- El botón TUNER no se utiliza con esta unidad.

c Botón UPCONVERT

Se utiliza para cambiar el ajuste de sobreconversión.

d Botón FILTER

Se utiliza para cambiar el ajuste de filtro. Este botón cambia el filtro en consonancia con la entrada (PCM o DSD).

e Botones arriba/abajo (^/∨)

Se utilizan para seleccionar los elementos de los menús de configuración.

f Botón MUTE

Púselo para silenciar el sonido temporalmente.

g Botón DIMMER

Se utiliza para ajustar la luminosidad de la pantalla de la unidad principal.

h Botones INFO, PROGRAM y CLEAR

Estos botones no se utilizan con esta unidad.

i Botón MENU

Púselo para entrar en el modo de ajustes de configuración (página 72). Dentro del modo de configuración, púselo para volver a la pantalla anterior.

j Botón ENTER

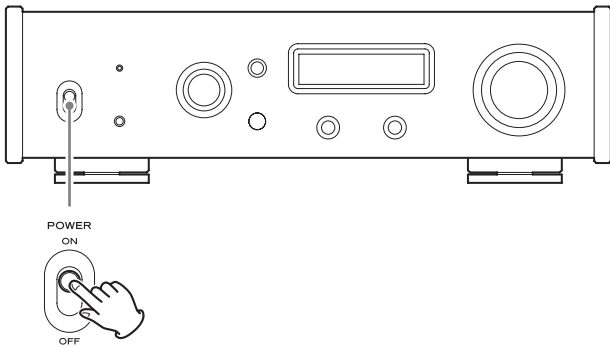
Púselo para confirmar el elemento de menú seleccionado.

k Botones VOLUME (+/-)

Estos botones se utilizan para ajustar el volumen.

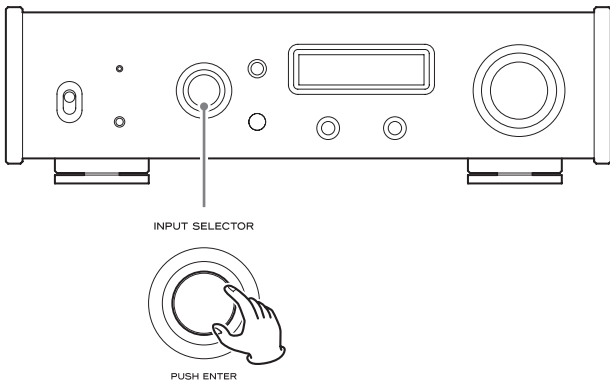
Cuando tanto la unidad principal como el mando a distancia tienen botones con las mismas funciones, en este manual se explica cómo utilizar uno de dichos botones. El otro equivalente se puede utilizar de la misma manera.

1 Ponga el interruptor POWER en ON para encender la unidad.



- Si hay un amplificador estéreo conectado a esta unidad, enciéndalo siempre el último.

2 Gire el mando INPUT SELECTOR para seleccionar la fuente de entrada.



La fuente de entrada seleccionada aparecerá en la pantalla.

- También puede utilizar los botones arriba y abajo (^, v) del mando a distancia.
- Si la señal de entrada no es una señal de audio digital o es un formato de señal de audio que no es compatible con esta unidad, como por ejemplo Dolby Digital o DTS, en la pantalla aparecerá "NOT AUDIO!" y no se escuchará nada. Configure la salida digital del dispositivo conectado como salida de audio PCM.
- Para reproducir archivos de audio en un ordenador con sistema operativo Windows cuando en esta unidad esté seleccionada la entrada USB, primero hay que instalar un controlador (driver) específico en el ordenador antes de conectarlo a esta unidad (página 75).
- Los datos DSD solo pueden reproducirse utilizando los puertos USB frontal y posterior o una entrada digital en formato DoP.
- Para utilizar NET o el puerto USB frontal, instale la app específica (gratuita) en una tablet o smartphone y conéctelo a la misma red que la unidad.

3 Ponga en marcha el dispositivo de reproducción.

Remítase al manual de instrucciones de dicho dispositivo.

4 Ajuste el volumen.

Si se utilizan las salidas de línea

Si LINE OUT LEVEL(nivel de salida de línea) está puesto en VARIABLE, gire el mando VOLUME de esta unidad para ajustar el volumen.

Si LINE OUT LEVEL está ajustado de cualquier otra forma, el volumen no se puede ajustar desde esta unidad. Utilice el amplificador estéreo u otro dispositivo conectado a esta unidad para ajustar el volumen.

Si hay unos auriculares conectados a esta unidad

Gire el mando VOLUME para ajustar el volumen.

- Cuando esté habilitado el mando VOLUME, se mostrará en la pantalla el ajuste de volumen.

Pantalla

Al encender



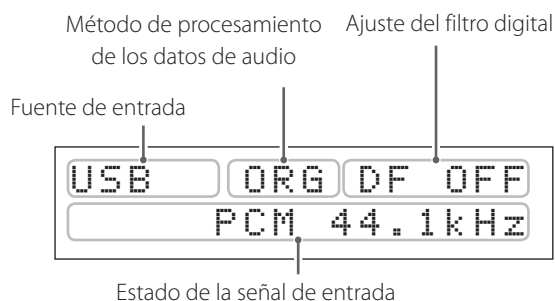
Después de que aparezcan los mensajes de las pantallas anteriores, en la pantalla aparecerá la fuente de entrada.

Pantalla con la información de la fuente de entrada

La pantalla con la información de la fuente de entrada aparecerá después de encender la unidad, y también si con una pantalla de ajustes de configuración abierta transcurren 10 segundos sin ninguna operación.

Ejemplos de pantallas

Si no hay auriculares conectados y LINE OUT LEVEL (nivel de salida de línea) está configurado como FIX (fijo) u OFF (desactivado):



- Si se gira el mando VOLUME, el volumen no cambiará.

Si hay conectados unos auriculares o LINE OUT LEVEL (nivel de salida de línea) está configurado como VARIABLE:



- Si se gira el mando VOLUME, el volumen cambiará. El volumen aparecerá a la derecha del estado de la señal de entrada.

Fuente de entrada

Muestra el nombre de la fuente seleccionada.

Los nombres que aparecen en la pantalla se corresponden con los terminales de entrada como se indica a continuación:

USB

Puerto USB (posterior).

COAX

Terminal coaxial RCA de entrada de audio digital (COAXIAL) del panel posterior.

COAXf

Conexión coaxial en el terminal de entrada de audio digital (OPT/COAX IN) del panel frontal.

OPT

Terminal óptico de entrada de audio digital (OPTICAL) del panel posterior.

OPTf

Conexión óptica en el terminal de entrada de audio digital (OPT/COAX IN) del panel frontal.

NET

Puerto ETHERNET.

USBf

Puerto USB (frontal)

- Ponga la fuente de entrada en NET y después seleccione esta opción con la app.

Bluetooth

Dispositivo Bluetooth.

Métodos de procesamiento de los datos de audio

ORG

La señal de entrada original se envía directamente al convertidor D/A sin sobreconversión.

2Fs

4Fs

8Fs

DSD

Se utilizará la sobreconversión mostrada (página 73).

DoP

La señal DSD es recibida por el método DoP (DSD over PCM, en español "DSD sobre PCM").

Ajuste del filtro digital

Muestra el ajuste del filtro digital (página 73).

Estado de la señal de entrada

Muestra el estado de la señal de entrada.

UNLOCK! (sin acoplar)

La unidad no se puede sincronizar con la señal de entrada.

NOT AUDIO! (no hay audio)

Se está recibiendo una señal con un formato que no se puede reproducir.

UNCONNECTED! (desconectado)

La fuente de entrada es USB (puerto USB posterior), pero no hay ningún cable USB conectado a la unidad.

La fuente de entrada es NET, pero no hay ningún cable USB conectado a la unidad.

La fuente de entrada es USBf (puerto USB frontal), pero no hay ninguna unidad flash USB conectada a la unidad.

READY (preparado)

La fuente de entrada es USB (puerto USB posterior), NET o USBf (puerto USB frontal) y hay un dispositivo conectado, pero no se está recibiendo ninguna señal de audio.

PCM 32kHz

PCM 44.1kHz

PCM 48kHz

PCM 88.2kHz

PCM 96kHz

PCM 128kHz

PCM 176.4kHz

PCM 192kHz

PCM 256kHz

PCM 352.8kHz

PCM 384kHz

DSD 2.8MHz

DSD 5.6MHz

DSD 11.2MHz

Los valores anteriores muestran el tipo de señal de entrada y la frecuencia de muestreo.

SBC

AAC

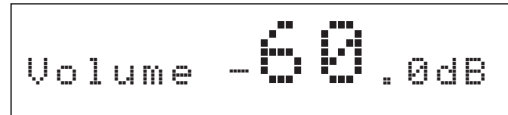
aptX

Cuando la fuente de entrada es Bluetooth, se muestra el tipo de códec.

Pantalla de volumen

Al girar el mando VOLUME de esta unidad, en la pantalla se muestra el ajuste de volumen.

Pantalla de ejemplo



Tecnología inalámbrica Bluetooth®

Notas sobre la tecnología Bluetooth®

Cuando utilice esta unidad con un teléfono móvil u otro dispositivo Bluetooth, ambos no deberán estar alejados uno de otro más de 10 metros.

Dependiendo de las circunstancias de utilización, sin embargo, la distancia de transmisión efectiva podría ser inferior.

No está garantizada la comunicación inalámbrica con todos los dispositivos compatibles con la tecnología inalámbrica Bluetooth.

Para determinar la compatibilidad entre esta unidad y otro dispositivo compatible con la tecnología inalámbrica Bluetooth, remítase al manual de instrucciones de dicho dispositivo o póngase en contacto con el establecimiento donde lo adquirió.

Perfiles

Esta unidad es compatible con los siguientes perfiles Bluetooth:

- A2DP (Advanced Audio Distribution Profile, "Perfil de distribución de audio avanzado" en español).
- AVRCP (Audio/Video Remote Control Profile, "Perfil de control remoto de audio/vídeo" en español).

Para transferir audio mediante una transmisión inalámbrica Bluetooth, el dispositivo Bluetooth ha de ser compatible con A2DP.

Para controlar la reproducción del dispositivo Bluetooth, este tiene que ser compatible con AVRCP.

Aunque un dispositivo Bluetooth sea compatible con estos mismos perfiles, sus funciones podrían diferir según sus especificaciones.

Códecs

Esta unidad es compatible con los siguientes códecs y seleccionará uno de ellos automáticamente durante la transferencia de audio:

- SBC
- AAC
- aptX

La unidad seleccionará el códec apropiado según la compatibilidad del otro dispositivo Bluetooth y las condiciones de comunicación.

NOTA

No se puede seleccionar el códec que se va a utilizar pulsando un botón, por ejemplo.

Debido a las características de la tecnología inalámbrica Bluetooth la reproducción desde un dispositivo Bluetooth tendrá un ligero retraso comparada con la reproducción desde esta unidad.

Protección de contenido

Esta unidad es compatible con SCMS-T, un método de protección de contenido cuando se transmite audio, de forma que puede reproducir audio protegido.

Seguridad de transmisión

Esta unidad admite funciones de seguridad durante la transmisión inalámbrica Bluetooth de acuerdo con las especificaciones Bluetooth estándar, pero no garantiza la privacidad de dichas transmisiones.

TEAC CORPORATION no asumirá ninguna responsabilidad en caso de que produzca una fuga o pérdida de información durante la transmisión inalámbrica Bluetooth.

Emparejamiento con otro dispositivo Bluetooth

El emparejamiento con otro dispositivo Bluetooth es necesario la primera vez que se conecta con dicho dispositivo.

- 1 Gire el mando INPUT SELECTOR para seleccionar Bluetooth.**

Bluetooth
SELECT DEVICE?

- Si no hay ningún dispositivo emparejado disponible, aparecerá "NO PAIRED DEVICE".

- 2 Active la transmisión Bluetooth en el otro dispositivo Bluetooth.**

- 3 Pulse y mantenga pulsado el mando INPUT SELECTOR para entrar en el modo de emparejamiento.**

Bluetooth
PAIRING

- "PAIRING" (emparejando) parpadeará en la pantalla.

- 4 En el otro dispositivo Bluetooth, seleccione "NT-503" (esta unidad).**

Después de que esta unidad haya entrado en modo de emparejamiento, emparéjela desde el otro dispositivo Bluetooth.

Para más información, remítase al manual de instrucciones de ese dispositivo Bluetooth.

Después de la conexión, la pantalla mostrará la fuente de entrada.

- Si en la pantalla del dispositivo Bluetooth aparece una solicitud de contraseña, introduzca "0000" (cuatro ceros).

Reproducción desde un dispositivo

Bluetooth

- Empareje esta unidad la primera vez que la utilice y cuando quiera conectarla con un nuevo dispositivo Bluetooth (página 70).
- Cuando empareje o conecte esta unidad con otro dispositivo Bluetooth, ambos deberán estar separados pocos metros el uno del otro. Si están demasiado separados, el emparejamiento y la posterior conexión podrían resultar imposibles.

1 Gire el mando INPUT SELECTOR para seleccionar Bluetooth.



Bluetooth
SELECT DEVICE?

Así se pondrá la fuente de entrada en Bluetooth.

- También puede utilizar los botones arriba y abajo (∧, ∨) del mando a distancia.
- La unidad conserva el mismo modo de entrada incluso cuando se pone en reposo (standby). Por tanto, este paso se puede omitir si la unidad ya estaba en modo Bluetooth cuando se puso en reposo (standby).

2 Active la transmisión Bluetooth en el otro dispositivo Bluetooth.

3 Pulse el mando INPUT SELECTOR para mostrar los dispositivos Bluetooth ya emparejados.

La línea inferior de la pantalla mostrará el nombre del último dispositivo conectado.

- También puede utilizar el botón ENTER del mando a distancia.

Pantalla de ejemplo



Bluetooth
> Player_1

Nombre del último dispositivo conectado

- Se mostrarán los primeros 14 caracteres del nombre del dispositivo.
- Si no hay ningún dispositivo emparejado disponible, la pantalla aparecerá como sigue:



Bluetooth
PAIRING?

Pulse y mantenga pulsado el mando INPUT SELECTOR para entrar en el modo de emparejamiento (página 70).

4 Pulse el mando INPUT SELECTOR para conectar.

- Si hay varios dispositivos emparejados, gire el mando INPUT SELECTOR para mostrar otros dispositivos. Cuando aparezca el nombre del dispositivo que desee conectar, pulse el mando INPUT SELECTOR.

Después de la conexión, la pantalla mostrará la fuente de entrada.

Pantalla de ejemplo

Nombre del dispositivo



Playe ORG DF OFF
aptX -41.5dB

Códec

- Se muestran los primeros 5 del nombre del dispositivo.
- Si el nombre del dispositivo incluye caracteres que no sean números y letras del idioma inglés, el nombre no se mostrará correctamente.

⚠ ATENCIÓN

Independientemente del estado de conexión de esta unidad y el otro dispositivo Bluetooth, si aparece en pantalla la fuente de entrada, reinicie tanto esta unidad como el otro dispositivo y después vuelva a conectarlos otra vez.

5 Comience la reproducción en el otro dispositivo Bluetooth.

- Confirme que el volumen está subido en el otro dispositivo Bluetooth. Si no sube el volumen en el dispositivo de reproducción, es posible que esta unidad no emita sonido.

6 Gire el mando VOLUME de esta unidad para ajustar el volumen.

- También puede utilizar los botones VOLUME del mando a distancia.
- Dependiendo del dispositivo Bluetooth conectado, quizás no se pueda ajustar el volumen. Para más información, remítase al manual de instrucciones del otro dispositivo Bluetooth.

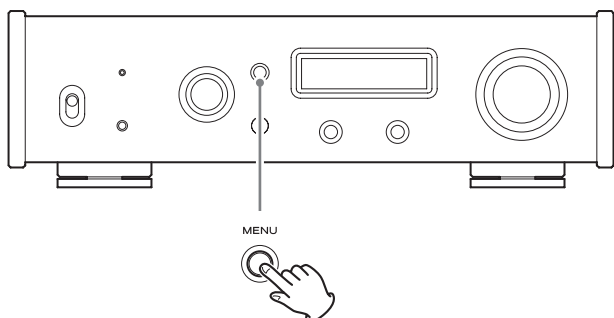
Silenciar la reproducción

Si desea silenciar temporalmente el volumen de esta unidad, pulse el botón MUTE del mando a distancia.

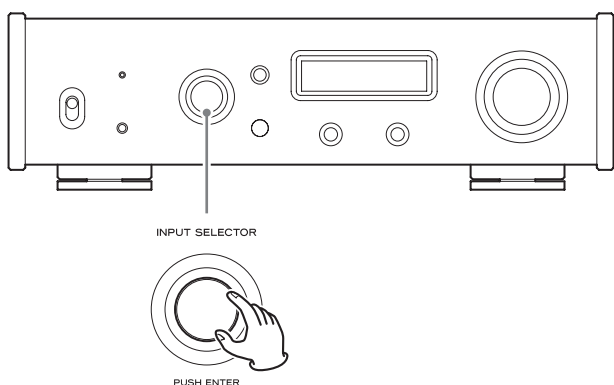
Vuelva a pulsar el botón MUTE otra vez para recuperar el nivel de volumen previo.

Ajustes de configuración

- 1** Pulse el botón MENU para que aparezcan en pantalla los elementos de ajuste de configuración.

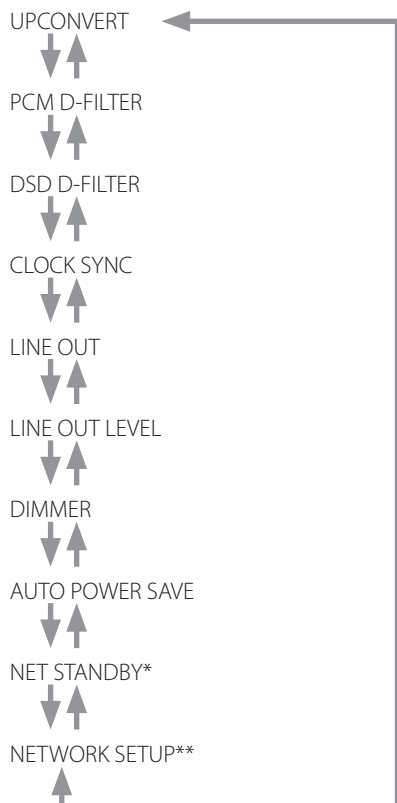


- 2** Gire el mando INPUT SELECTOR para mostrar el elemento de ajuste que desee cambiar.



- También se pueden utilizar los botones arriba y abajo (∧, ∨) del mando a distancia.

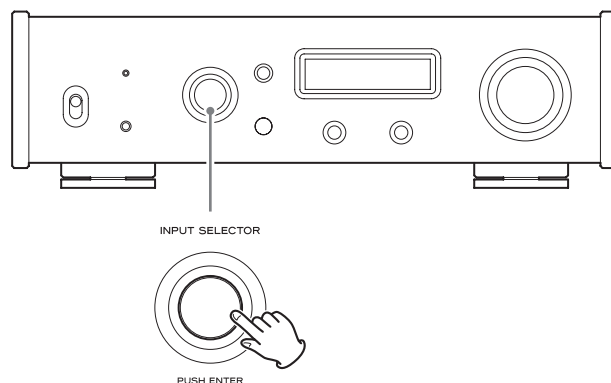
Los elementos del menú aparecen en el siguiente orden:



* Para más información, consulte el Manual de red.

** Aparece solo cuando la fuente de entrada es NET/USBf

- 3** Pulse el mando INPUT SELECTOR para confirmar la selección.

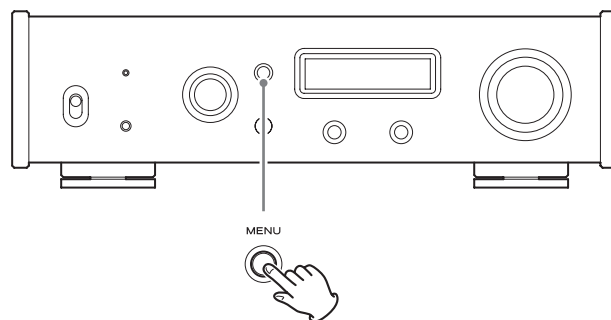


- También se puede pulsar el botón ENTER del mando a distancia.
- En la pantalla se mostrará el valor actual.

- 4** Gire el mando INPUT SELECTOR para cambiar el valor del ajuste.

- También se pueden utilizar los botones arriba y abajo (∧, ∨) del mando a distancia.
- Pulse el botón MENU para volver a la selección de los elementos de configuración.

- 5** Cuando haga cambios en los ajustes, pulse el botón MENU para que vuelva a mostrarse en pantalla otra vez el estado de la fuente de entrada.



- Si no se hace nada durante 10 segundos, la pantalla volverá a mostrar el estado de la fuente de entrada.

Sobreconversión (UPCONVERT)

Se utiliza para activar el circuito de sobreconversión cuando se reciben señales en formato PCM.

- Consulte la página 63 para más información sobre las relaciones entre las frecuencias de muestreo de entrada y las frecuencias de muestreo después de la sobreconversión.

```
*UPCONVERT  
> OFF
```

OFF

La señal de entrada original se envía directamente al convertidor D/A sin sobreconversión.

2Fs

Si la señal de audio de entrada es inferior a una frecuencia de muestreo estándar (32, 44.1 o 48 kHz) multiplicada por 2, se sobreconvierte multiplicándose por 2 y después se envía al convertidor D/A.

4Fs

Si la señal de audio de entrada es inferior a una frecuencia de muestreo estándar (32, 44.1 o 48 kHz) multiplicada por 4, se sobreconvierte multiplicándose por 4 y después se envía al convertidor D/A.

8Fs

Si la señal de audio de entrada es inferior a una frecuencia de muestreo estándar (32, 44.1 o 48 kHz) multiplicada por 8, se sobreconvierte multiplicándose por 8 y después se envía al convertidor D/A.

DSD

La fuente de entrada se convierte a formato digital DSD y después se envía al convertidor D/A.

Filtro digital PCM (PCM D-FILTER)

Se utiliza para ajustar el filtro digital cuando se reciben señales en formato PCM.

```
*PCM D-FILTER  
> OFF
```

OFF

El filtro digital está desactivado.

FIR SHARP

Se utiliza un filtro FIR con pendiente de caída pronunciada para cortar bruscamente las señales que queden fuera de la banda de audio.

FIR SLOW

Se utiliza un filtro FIR con pendiente de caída lenta para cortar suavemente las señales que queden fuera de la banda de audio.

SDLY SHARP

Se utiliza un filtro de retardo corto con pendiente de caída pronunciada para cortar bruscamente las señales que queden fuera de la banda de audio.

SDLY SLOW

Se utiliza un filtro de retardo corto con una pendiente de caída lenta para cortar suavemente las señales que queden fuera de la banda de audio.

- Cuando se reciban señales a 352.8 kHz o 384 kHz, el filtro digital se desactivará durante la reproducción independientemente de su ajuste.

Filtro digital DSD (DSD D-FILTER)

Se utiliza para ajustar el filtro digital cuando se reciben señales en formato DSD.

```
*DSD D-FILTER  
> CUTOFF 150kHz
```

CUTOFF 50kHz

Frecuencia de corte: 50 kHz.

CUTOFF 150kHz

Frecuencia de corte: 150 kHz.

Sincronización de reloj (CLOCK SYNC)

- La sincronización de reloj solo es posible cuando la fuente de entrada es USB (puerto USB posterior), NET o USBf (puerto USB frontal).

```
*CLOCK SYNC  
> OFF
```

OFF

No se utiliza la sincronización de reloj.

ON

El reloj maestro de esta unidad se sincronizará con la entrada de reloj de 10MHz a través del terminal de entrada de sincronización de reloj CLOCK SYNC (10MHz IN).

Salida de línea (LINE OUT)

```
*LINE OUT  
> RCA
```

Se utiliza para seleccionar los terminales por los que va a salir el audio analógico.

- No es posible la salida por los terminales RCA y XLR a la vez.

RCA

La salida es a través de los terminales RCA.

XLR2

La salida es a través de los terminales XLR con polaridad 2 = VIVO (POSITIVO).

XLR3

La salida es a través de los terminales XLR con polaridad 3 = VIVO (POSITIVO).

Ajustes de configuración (continuación)

Nivel de salida de línea (LINE OUT LEVEL)

```
*LINE OUT LEVEL
> FIX 0dB
```

Se utiliza para seleccionar el nivel del audio que se envía a los terminales de salida de audio analógico (LINE OUT).

FIX 0dB

El nivel de salida máximo es 2 Vrms. Seleccione esa opción si desea ajustar el volumen mediante un amplificador.

- No saldrá sonido si hay unos auriculares conectados.

FIX +6dB

El nivel de salida máximo es 4 Vrms. Seleccione esta opción si desea ajustar el volumen mediante un amplificador.

- No saldrá sonido si hay unos auriculares conectados.
- Si el sonido distorsiona, cambie el ajuste a FIX 0dB.

VARIABLE

Esta opción permitirá el ajuste del nivel de la salida analógica mediante el mando VOLUME. Selecciónela si desea ajustar el volumen utilizando esta unidad.

- No saldrá sonido si hay unos auriculares conectados.

OFF

No saldrá sonido en ningún caso.

Brillo de la pantalla (DIMMER)

```
*DIMMER
> DIMMER 3
```

DIMMER 3

Brillo normal.

DIMMER 2

Ligeramente atenuado.

DIMMER 1

Mayor atenuación.

DIMMER 0

Pantalla apagada.

- La pantalla permanece apagada incluso aunque la unidad esté encendida.
- Los errores se mostrarán en pantalla con el brillo normal, independientemente de cómo esté configurado este ajuste.

Función de ahorro de energía automático (AUTO POWER SAVE)

Esta unidad tiene una función de ahorro de energía automático.

- La función de ahorro de energía automático viene activada de fábrica.

```
*AUTO POWER SAVE
> ON
```

OFF

La función de ahorro de energía automático está desactivada.

ON

La unidad entrará en modo de reposo (standby) automáticamente si no se sincroniza ninguna señal durante aproximadamente 30 minutos.

Instalación del software controlador (driver) en un ordenador

Esta unidad puede conectarse a ordenadores que funcionen con los sistemas operativos indicados a continuación. No está garantizado el funcionamiento con otros sistemas operativos (a julio de 2015).

Con Mac OS

El software controlador funciona con las siguientes versiones:

- OS X Lion (10.7)
- OS X Mountain Lion (10.8)
- OS X Mavericks (10.9)
- OS X Yosemite (10.10)

Esta unidad funcionará con el software controlador estándar del sistema operativo, por lo que no hace falta instalar ningún software controlador especial.

Con Windows

El software controlador funciona con las siguientes versiones:

- Windows 7 (32/64 bits)
- Windows 8 (32/64 bits)
- Windows 8.1 (32/64 bits)
- Windows 10 (32/64 bits)

Instalación del software controlador en el ordenador

Para poder reproducir a través de esta unidad los archivos de audio almacenados en un ordenador, es necesario haber instalado antes un software controlador (driver) específico en el ordenador. Descárguelo desde la web global de TEAC.

Web global de TEAC:

<http://teac-global.com/>

ATENCIÓN

Instale el software controlador específico antes de conectar la unidad a un ordenador mediante USB.

Si conecta esta unidad a un ordenador antes de haber instalado el software controlador, no funcionará correctamente.

- Para obtener instrucciones acerca del procedimiento de instalación del software controlador, acceda a la página de descargas (Downloads) de la web global de TEAC (<http://teac-global.com/>).
- Dependiendo de la combinación de hardware y software, podría darse el caso de que el funcionamiento no sea posible incluso con los sistemas operativos antes mencionados.

Acerca del modo de transmisión

Esta unidad se conecta en modo asíncrono de alta velocidad.

Las frecuencias de muestreo que se pueden transmitir son 32, 44.1, 48, 88.2, 96, 176.4, 192, 352.8 y 384 kHz.

Cuando se haya realizado la conexión correctamente, se podrá seleccionar "TEAC USB AUDIO DEVICE" como salida de audio en el sistema operativo del ordenador.

- En modo asíncrono, los datos de audio enviados desde el ordenador se procesarán utilizando el reloj de esta unidad, reduciéndose así las fluctuaciones que se producen durante la transmisión de datos.

Descarga de la aplicación de reproducción de audio TEAC HR Audio Player

Desde la web global de TEAC (<http://teac-global.com/>), puede descargar las versiones para Mac y Windows de nuestra aplicación de reproducción de audio gratuita TEAC HR Audio Player, compatible con la reproducción de archivos DSD.

Nota sobre la configuración de TEAC HR Audio Player

Para reproducir grabaciones DSD a 11.2 MHz con TEAC HR Audio Player, abra la ventana "Configure" (Configuración) y configure "Decode mode" (Modo de decodificación) como "DSD Native". (DSD nativo).

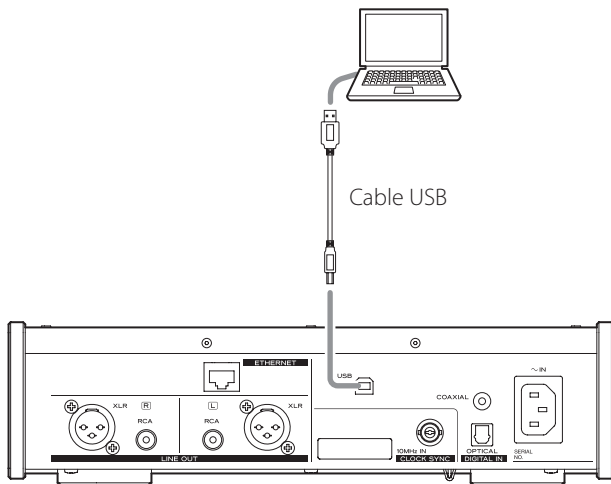
Para reproducir otros formatos que no sean DSD a 11.2 MHz, la configuración puede ser indistintamente "DSD over PCM" (DSD sobre PCM) o "DSD Native" (DSD nativo), como prefiera.

Para más información, consulte "Selecting the DSD decoding mode" (Seleccionar el modo de decodificación DSD) en el manual del usuario de TEAC HR Audio Player.

Reproducción de música en un ordenador (continuación)

Reproducción de archivos de audio desde un ordenador

1 Conecte el puerto USB de la parte posterior de esta unidad al ordenador mediante un cable USB.

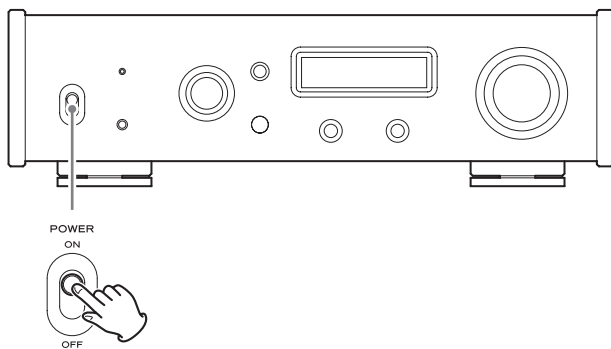


- Utilice un cable que tenga el conector adecuado para esta unidad.

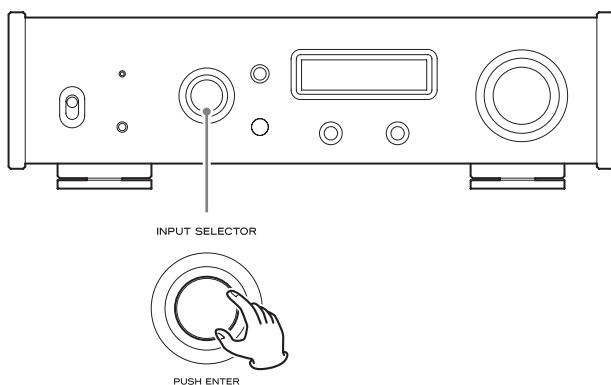
2 Encienda el ordenador.

- Confirme que el sistema operativo se ha iniciado correctamente.

3 Ponga el interruptor POWER en ON para encender la unidad.



4 Gire INPUT SELECTOR para seleccionar USB.



5 Comience la reproducción de un archivo de audio en el ordenador.

Conseguirá mejor calidad de sonido si pone al máximo el volumen de salida del ordenador y ajusta el volumen de escucha desde el amplificador estéreo.

Ponga al mínimo el volumen del amplificador estéreo antes de empezar la reproducción y luego súbalo gradualmente.

Cuando vaya a utilizar unos auriculares conectados a esta unidad, gire el mando VOLUME hacia la izquierda para bajar el volumen al mínimo antes de ponérselos y luego súbalo gradualmente.

- El ordenador y esta unidad no pueden controlarse el uno al otro.
- No lleve a cabo ninguna de las acciones indicadas a continuación cuando reproduzca archivos de audio mediante USB. Si lo hace, podría causar anomalías de funcionamiento en el ordenador. Salga siempre del software de reproducción de audio antes de llevar a cabo cualquiera de las siguientes acciones:
 - Desconectar el cable USB
 - Apagar esta unidad
 - Cambiar la selección de entrada actual
- Al reproducir archivos de audio mediante USB, también sonarán los sonidos propios del funcionamiento del ordenador. Si no desea que se escuchen estos sonidos, realice los ajustes adecuados en el ordenador para silenciarlos.
- Si conecta esta unidad al ordenador o cambia la fuente de entrada a USB después de haber iniciado el software de reproducción de audio, puede que los archivos de audio no se reproduzcan adecuadamente. Si esto ocurre, reinicie el software de reproducción de audio o reinicie el ordenador.

Si experimenta algún problema con esta unidad, por favor dedique unos momentos a leer la siguiente información antes de solicitar asistencia técnica. Si aún así el problema persiste, póngase en contacto con el establecimiento donde adquirió la unidad.

General

La unidad no se enciende.

- ➔ Compruebe que el cable de corriente está completamente enchufado en la toma de electricidad. Si la toma de electricidad tiene un interruptor de activación, confirme que está en posición de activado.
- ➔ Confirme que llega corriente a la toma de electricidad enchufando en ella otro aparato.
- ➔ Si la función de ahorro de energía automático ha hecho que la unidad entre en reposo (standby), pulse el botón STANDBY/ON del mando a distancia para volver a encender la unidad.

No se escucha sonido.

- ➔ Si hay un amplificador estéreo conectado a esta unidad, ajuste su volumen.
- ➔ Si está utilizando unos auriculares conectados a esta unidad, utilice el mando VOLUME para ajustar el volumen.
- ➔ Utilice el mando INPUT SELECTOR para seleccionar la entrada que esté conectada a la fuente que desee escuchar.
- ➔ Compruebe las conexiones con el resto de los equipos.

Hay ruido o zumbido.

- ➔ Si hay un cable de conexión cerca de un cable de corriente, de un fluorescente o de otra fuente de interferencias similar, aumente la distancia entre ellos lo máximo posible.

No se escucha sonido por un lado de los auriculares.

- ➔ Compruebe que el jack de los auriculares está bien insertado hasta el fondo.

Sincronización de reloj

El indicador CLOCK no deja de parpadear.

- ➔ Configure la sincronización de reloj en OFF (desactivada) cuando no se utilice.
- ➔ No es posible la sincronización con la señal de reloj que está entrando. Compruebe las conexiones de los terminales de sincronización de reloj y los ajustes del dispositivo conectado.

Conexiones con un ordenador

El ordenador no reconoce esta unidad.

- ➔ Esta unidad puede conectarse a ordenadores que funcionen con los sistemas operativos indicados a continuación. No está garantizado el funcionamiento con otros sistemas operativos (a julio de 2015).

Mac OS

OS X Lion (10.7)
OS X Mountain Lion (10.8)
OS X Mavericks (10.9)
OS X Yosemite (10.10)

- Esta unidad se puede utilizar con el software controlador estándar del sistema operativo.

Windows

Windows 7 (32/64 bits)
Windows 8 (32/64 bits)
Windows 8.1 (32/64 bits)
Windows 10 (32/64 bits)

- Requiere la instalación de un software controlador específico (página 75).

Se produce ruido.

- ➔ Si inicia otras aplicaciones durante la reproducción de un archivo de música, puede interrumpir la reproducción o causar ruido. No inicie otras aplicaciones durante la reproducción. Si se conecta la unidad a un ordenador mediante un hub (concentrador) USB, por ejemplo, puede escucharse ruido. Si esto ocurre, conecte la unidad directamente al ordenador.

No se pueden reproducir los archivos de audio.

- ➔ Conecte esta unidad al ordenador y seleccione USB como entrada de esta unidad antes de iniciar el software de reproducción de música. Si conecta esta unidad al ordenador o selecciona la entrada USB después de haber iniciado el software de reproducción de audio, puede que los archivos de música no se reproduzcan correctamente.

Solución de posibles fallos (continuación)

Función Bluetooth

No se puede mostrar el nombre del dispositivo.

- ➔ Esta unidad no puede mostrar en pantalla símbolos o caracteres de doble byte, incluidos los japoneses y chinos. Para los nombres de los dispositivos conectados a esta unidad, utilice solo números y letras del idioma inglés.

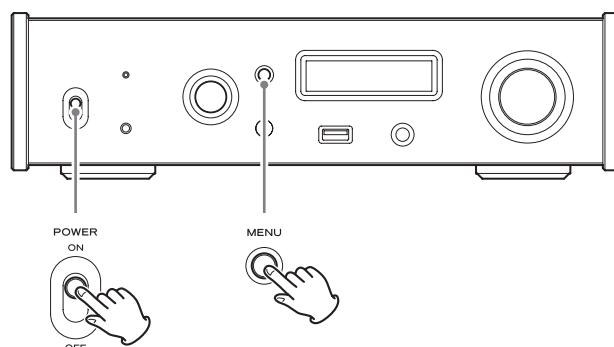
No se puede cambiar el dispositivo Bluetooth conectado.

- ➔ Esta unidad no puede tener conexiones Bluetooth con múltiples dispositivos Bluetooth al mismo tiempo. Para cambiar el dispositivo conectado a esta unidad por Bluetooth, finalice la conexión con el dispositivo Bluetooth conectado en ese momento antes de establecer la conexión con otro dispositivo Bluetooth.

Dado que esta unidad utiliza un microcontrolador, ruidos externos y otras interferencias pueden hacer que la unidad deje de funcionar correctamente. Si esto ocurre, desenchufe el cable de corriente, espere un rato y después vuelva a encender la unidad para restablecer el funcionamiento.

Restablecer los ajustes predeterminados

Mientras mantiene pulsado el botón MENU, ponga el interruptor POWER en ON (activado).



- Suelte el botón MENU cuando aparezca el mensaje "SETUP CLEAR" (borrar configuración).

Los valores predeterminados de fábrica son los valores de los ajustes que se muestran en las ilustraciones de pantallas utilizadas en las explicaciones de este manual.

Salidas de audio analógico

Terminales.....	XLR × 1 par RCA × 1 par
Impedancia de salida.....	XLR: 188 Ω RCA: 150 Ω
Nivel de salida máximo (1 kHz/escala completa, a 10 kΩ)	
FIX 0 dB.....	XLR/RCA: 2.0 Vrms
FIX +6 dB.....	XLR/RCA: 4.0 Vrms
VARIABLE.....	XLR: 12 Vrms RCA: 6 Vrms
Respuesta de frecuencias.....	5 Hz – 80 kHz (+1 dB/–3 dB)
Relación señal/ruido.....	110 dB (ponderado A, 1 kHz)
Distorsión.....	0,0015 % (1 kHz, LPF: 20 Hz – 20 kHz)

Salida de auriculares

Terminal.....	Jack estéreo estándar 6,3 mm × 1
Salida máxima efectiva.....	500 mW + 500 mW (a 32 Ω)
Rango de impedancias compatibles.....	16–600 Ω

Entradas de audio digital*

Digital COAXIAL.....	Terminal RCA × 1 Miniconector de 3,5 mm** × 1 (También es posible la conexión con un miniconector de 3,5 mm utilizando el cable adaptador RCA-miniconector.) (0.5 Vp-p, 75 Ω)
Digital óptica (OPTICAL).....	Conector rectangular × 1 Miniconector de 3,5 mm** × 1 (de –24.0 a –14.5 dBm en picos)
Unidad flash USB.....	Puerto USB Tipo A (frontal) × 1 (compatible con USB 2.0)
USB.....	Puerto USB Tipo B (posterior) × 1 (compatible con USB 2.0)
LAN.....	100BASE-T
Frecuencia de muestreo de datos PCM	
Digital COAXIAL	32 kHz, 44.1 kHz, 48 kHz, 88.2 kHz, 96 kHz, 176.4 kHz, 192 kHz
Digital óptica (OPTICAL)	32 kHz, 44.1 kHz, 48 kHz, 88.2 kHz, 96 kHz, 176.4 kHz, 192 kHz
USB	44.1 kHz, 48 kHz, 88.2 kHz, 96 kHz, 176.4 kHz, 192 kHz, 352.8 kHz, 384 kHz
Profundidad de bits de cuantización	
Digital COAXIAL/Digital óptica (OPTICAL).....	16/24 bits
USB.....	16/24/32 bits
Frecuencia de muestreo de datos DSD	
Digital COAXIAL/Digital óptica (OPTICAL).....	2.8 MHz (compatible utilizando transmisión DoP de 176.4kHz/24 bits)
USB.....	2.8 MHz, 5.6 MHz, 11.2 MHz

* Consulte el Manual de red para más información sobre unidades flash USB y redes.

** Este terminal de entrada se puede utilizar tanto para conexiones ópticas como coaxiales.

Entrada de sincronización de reloj

Terminal.....	BNC
Frecuencia de muestreo de entrada.....	10 MHz
Impedancia de entrada.....	50 Ω
Nivel de entrada.....	Onda rectangular: equivalente a niveles TTL Onda senoidal: de 0.5 a 1.0 Vrms

Función Bluetooth

Versión Bluetooth.....	3.0
Clase de salida.....	Clase 2 (distancia de transmisión aproximada*: 10 m)
Perfiles compatibles.....	A2DP, AVRCP
Códecs A2DP compatibles.....	SBC, AAC, aptX
Protección de contenidos A2DP compatible.....	SCMS-T
Número máximo de emparejamientos almacenados.....	8

*La distancia de transmisión es aproximada. La distancia de transmisión puede variar dependiendo del entorno medioambiental y las ondas electromagnéticas existentes en las inmediaciones.

General

Alimentación	
Modelo para Europa.....	CA 220–240 V, 50/60 Hz
Modelo para EE. UU./Canadá.....	CA 120 V, 60 Hz
Consumo de corriente.....	18 W
Consumo en reposo.....	0.4 W (en modo "standby") 3 W (en modo "standby" en red)
Dimensiones externas.....	290 mm × 81,2 mm × 248,7 mm (ancho × alto × profundo incluyendo salientes)
Peso.....	3,9 kg
Temperatura de funcionamiento.....	de +5° C a +35° C
Humedad de funcionamiento.....	de 5 a 85 % (sin condensación)
Temperatura de almacenamiento.....	de –20° C a +55° C

Accesorios incluidos

Cable de corriente × 1
Cable de conversión RCA (RCA a miniconector) × 1
Mando a distancia (RC-1320) × 1
Pilas para el mando a distancia (AAA) × 2
Manual del usuario (este documento) × 1
Tarjeta de garantía × 1 (solo para usuarios de EE. UU. y Canadá)

- El diseño y las especificaciones están sujetos a cambio sin previo aviso.
- El peso y las dimensiones son aproximados.
- Las ilustraciones de este manual pueden diferir ligeramente de los modelos de producción.

WARRANTY/GARANTIE/GARANTÍA

Europe/Europa

This product is subject to the legal warranty regulations of the country of purchase. In case of a defect or a problem, please contact the dealer where you bought the product.

Ce produit est sujet aux réglementations concernant la garantie légale dans le pays d'achat. En cas de défaut ou de problème, veuillez contacter le revendeur chez qui vous avez acheté le produit.

Las condiciones de garantía de este aparato están sujetas a las disposiciones legales sobre garantía del país en el que ha sido adquirido. En caso de garantía, debe dirigirse al establecimiento donde adquirió el aparato.

In countries/regions other than the USA, Canada and Europe

This warranty gives you specific legal rights, and you may also have other rights that vary by country, state or province. If you have a warranty claim or request, please contact the dealer where you bought the product.

该保证书赋予了顾客特定的合法权利，并且因国家，州或省等地域的不同，顾客可能拥有其他权利。如需申请或要求保修，请与购买本产品的销售店进行联系。

TEAC

TEAC CORPORATION	1-47 Ochiai, Tama-shi, Tokyo 206-8530 Japan	Phone: +81-42-356-9156
TEAC AMERICA, INC.	1834 Gage Road, Montebello, California 90640 U.S.A.	Phone: +1-323-726-0303
TEAC AUDIO EUROPE	Liegnitzer Straße 6, 82194 Gröbenzell, Germany	Phone: +49-8142-4208-141

This device has a serial number located on its rear panel. Please record the serial number and retain it for your records.

Model name: NT-503 Serial number: _____